



Rapporti Tecnici INAF INAF Technical Reports

Number	222
Publication Year	2023
Acceptance in OA@INAF	2023-01-13T09:00:22Z
Title	Marsis on-board software requirements for upgrade
Authors	CICCHETTI, ANDREA, NENNA , CARLO, CARTACCI, MARCO, NOSCHESE, RAFFAELLA
Affiliation of first author	IAPS Roma
Handle	http://hdl.handle.net/20.500.12386/32853 , https://doi.org/10.20371/INAF/TechRep/222



Date 10/01/2023
Issue 1
Revision 0
Page 1 of 81

MARSIS On-board Software Requirements for Upgrade

Issue 1, Rev 0

Andrea Cicchetti¹, Carlo Nenna¹, Marco Cartacci¹, Raffaella Noschese¹

¹INAF-IAPS Via Fosso del Cavaliere 100, 00133, Rome, Italy



Date 10/01/2023
Issue 1
Revision 0
Page 2 of 81

Table of Contents

1	SCOPE AND APPLICABILITY	6
2	MARS NEW OPERATIVE MODE (SSM).....	7
2.1	FRAME STRUCTURE DEFINITION	9
2.2	DEMODULATOR (I/Q SYNTHESIS)	11
2.3	ECHOES PRESUMING TECHNIQUE.....	12
2.4	ON-BOARD RANGE COMPRESSION	14
2.5	RECEIVING WINDOW RESIZE TECHNIQUES	15
2.6	OST AND P.T. PARAMETERS	20
2.7	SSM DATA MANAGEMENT.....	23
3	PHOBOS NEW OPERATIVE MODE (SSP).....	29
3.1	SSP MODE REQUIREMENTS	30
3.2	ANALYSIS OF OBSERVATION SCENARIOS.....	33
3.3	OST AND P.T. PARAMETERS	36
3.4	PHO FLASH MEMORY DATA MANAGEMENT	39
4	MARSIS, PLANNING & COMMANDING INTERFACES, REQUEST OF UPDATE	43
4.1	PLANNING CHAIN	43
4.2	COMMANDING CHAIN.....	44
5	ANNEXES.....	48
5.1	ANNEX 1: ON-BOARD SCIENCE DATA BITS ENCODING	48
5.2	ANNEX 2: DEMODULATOR (I/Q SYNTHESIS)	50
5.2.1	<i>On-Board Function Demodulator</i>	<i>52</i>
5.3	ANNEX 3: RECEIVING WINDOW RESIZE TECHNIQUE	54
5.4	ANNEX 4: ON-BOARD REFERENCE FUNCTIONS.....	60
5.4.1	<i>On-Board Reference Function Coefficients for Bands: B2, B3 and B4</i>	<i>62</i>
5.4.2	<i>On-Board Reference Function Coefficients for Band: B1</i>	<i>72</i>



Date 10/01/2023
Issue 1
Revision 0
Page 3 of 81

ACRONYM & ABBREVIATION LIST

ADC	Analogue to Digital Converter
AGC	Automatic Gain Control
CM	Contrast Method
DV	Data Volume
ESOC	European Space Operations Centre
FFT	Fast Fourier Transform
OBDH	Mars Express “On-Board Data Handling”
HK	Housekeeping (Telemetry)
ID	Identifier
IFFT	Inverse Fast Fourier Transform
MARSIS	Mars Advanced Radar for Subsurface and Ionosphere Sounding
MEX	Mars Express
OST	Operational Sequence Table
PFS	Planetary Fourier Spectrometer
POR	Payload Operational Request
PT	Parameter Table
PRI	Pulse Repetition Interval
SW	Software
SNR	Signal To Noise Ratio
SPICAM	Spectroscopy for the Investigation of the Characteristics of the Atmosphere of Mars
SC	Spacecraft
SS3	Sub Surface 3
SSM	Sub Surface Mars (New Operative Mode)
SSP	Sub Surface Phobos (New Operative Mode)
TBC	To Be Confirmed
TBD	To Be Defined



Date 10/01/2023
Issue 1
Revision 0
Page 4 of 81

DISTRIBUTION LIST

Name	Name
C. NENNA / INAF-IAPS Associato	J.J. PLAUT/ JPL
M. CARTACCI / INAF-IAPS	D. CALABRESE / THALES
R. OROSEI / INAF-IRA	A. OLIVIERI / ASI
D. TITOV /ESA	J. GODFREY
A. CARDESIN MOINELO / ESA	

DOCUMENT CHANGE LOG

<i>Issue</i>	<i>Rev.</i>	<i>Date</i>	<i>Changes Description</i>
1	0	10/01/2023	First Issue



Date 10/01/2023
Issue 1
Revision 0
Page 5 of 81

The following documents shall be used as reference background and support information. These documents are herein referred as [RD-XX].

<i>Id</i>	<i>Document Number</i>	<i>Description</i>
[RD-01]	TNO-MAR-0037-ALS	MARSIS ON BOARD PROCESSING ALGORITHMS
[RD-02]	ANNEX 5_MARSIS_PT_SW_#B2CF8	MARSIS DES PARAMETERS' TABLE
[RD-03]	ID-MAR-0008-INF	MARSIS FLIGHT USER MANUAL



Date 10/01/2023
Issue 1
Revision 0
Page 6 of 81

1 SCOPE AND APPLICABILITY

The Mars Advanced Radar for Subsurface and Ionosphere Sounding (MARSIS) is a powerful instrument for subsurface remote sensing of the Mars planet. Since its debut, about fifteen year ago, many successful observations have been carried out, in particular for the study of Mars south and north polar layered deposits.

At this point of this fruitful mission, having acquired a good knowledge of the Mars environment, it is now necessary and desirable to improve the instrument science performances, mitigating some limitations of the on-board SW, that were required at the beginning of the mission, but which were proven to be excessive and above all limiting.

The main purpose of this document is to define the requirements necessary to update the on-board SW, in order to add two new improved operative modes to the ones already in use. Additional requirements may be found in annexes (mainly details on the algorithms) and in the applicable and reference documents.

It is worth noting that, the existing operative modes will remain unchanged and can continue to be used after loading the updated SW.

The first new operative mode (**SSM**) is related to the observation of Mars. It will be similar to the existing main dual channel sub surface mode (**SS3**). The processing for the first operative channel will remain unchanged, while calculations on the second channel will be modified to extract the most significant data from the full raw data set, discarding what is meaningless or providing poor scientific contribution.

The new second operative mode (**SSP**), will be designed above all to optimize the observation of Phobos which was not originally thought as a target for MARSIS, this means that a very complex on-board SW configuration is required, in order to force the radar to work properly even in this situation. Moreover, actual Phobos observation makes use of valuable SC resources for storing high quantity of useless data, that cannot be eliminated without modifications of MARSIS SW.

The new operative mode will take care of removing these unnecessary data. It will also optimize adaptively the Receiver Gain during the flyby, thereby improving the dynamic range of the receiver of the recorded Science Data. At the same time data-rate on the SC OBDH bus will be strongly reduced, allowing the possibility for MARSIS, PFS and SPICAM to operate simultaneously



2 MARS NEW OPERATIVE MODE (SSM)

The operating diagram of the new dual channel operative mode is shown in Fig.2.1. Operations executed on the first radar channel (RX Channel 1) will be equal to the ones performed in existing operative mode SS3. Processing on the second channel will be fully updated with new SW requirements described in this technical note.

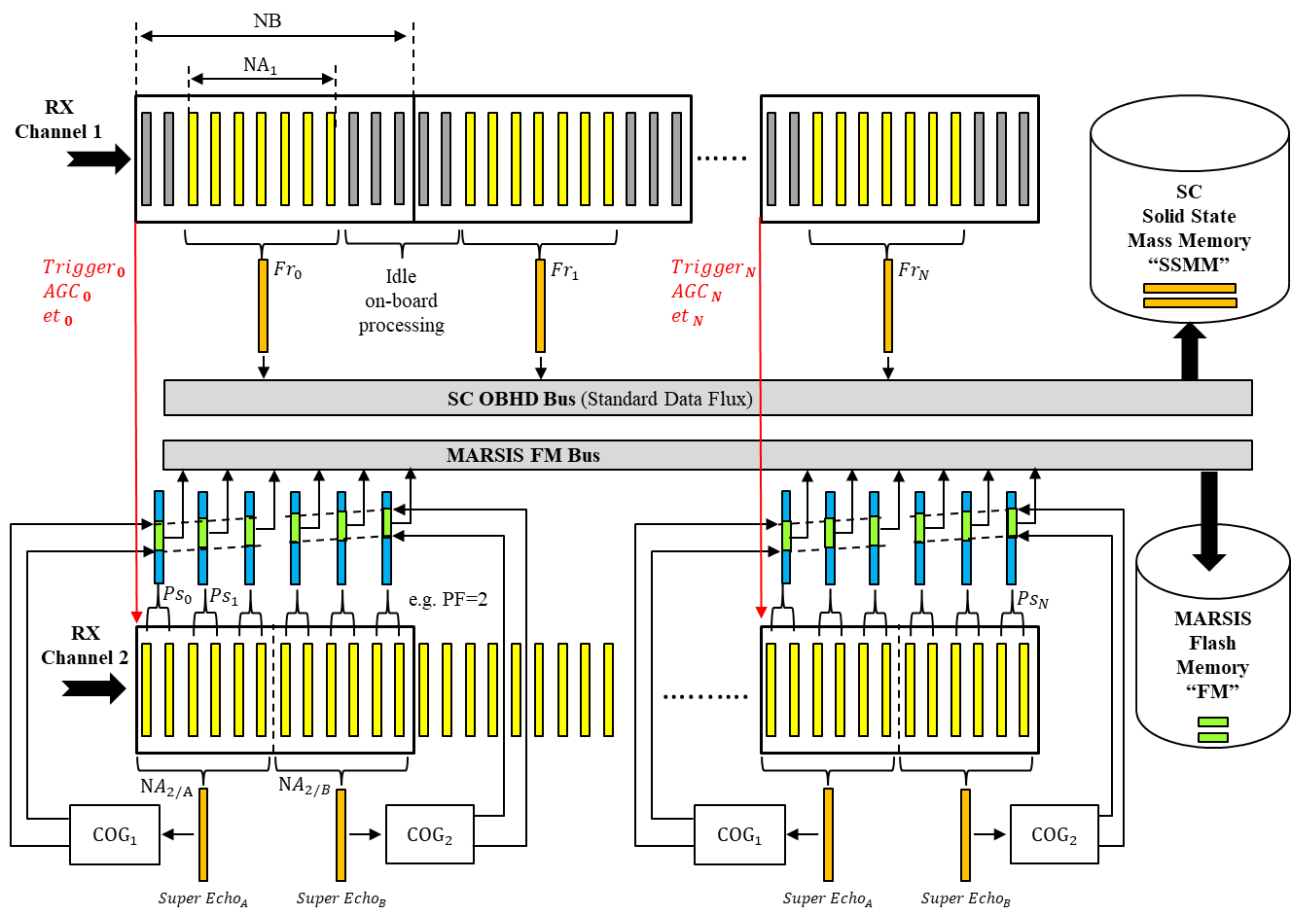


Fig. 2.1 SSM Operative Mode, High level diagram

For the first channel the observation timeline is made of a sequence of frames, where a frame is a group of NB consecutive PRIs, being NB value computed adaptively during the flyby. Within a frame a subset of NA1 PRIs is used to synthesize a synthetic aperture. As for NB, also NA1 value is adaptively computed on-board so that a certain amount of PRI's is always available to calculate the key flight parameters (RX Trigger and Automatic Gain Control 'AGC') and to complete the processing of synthetic aperture data. These NB- NA1 "mute" (no TX/RX activity) PRIs are represented with the grey colour in the top panel of Fig. 2.1. More details can be found in RD-01.



Date 10/01/2023
Issue 1
Revision 0
Page 8 of 81

The timeline of the second channel is designed to avoid any interruption in the echo collection mechanism, allowing a more uniform observation of Mars. In order to achieve this important science requirement, it was not possible to rely on the “mute” PRIs for the computation of the flight parameters (Trigger, AGC and on-board processing in general). To solve this critical aspect, it has been decided to set the same radar band on both channels, allowing the use of the flight parameters calculated in the first channel also for the second channel. The MARSIS SCET time (et), provided by the SC, necessary to identify the recorded echoes, is reported in the telemetries of both channels every NB PRIs. Synchronization of the two channels RX Trigger values is achieved through the following equation:

$$RX_TRIG_CH2_US = RX_TRIG_CH1_US + TRIG_OFFSET_CH2_US + 450 [\mu s] \quad (1)$$

Where:

TRIG_OFFSET_CH2_US: Offset extracted from PT, it can assume both positive and negative values in [us]

The recorded echoes (yellow bars of Fig. 2.1) collected by the radar, are flowing constantly on the second channel and before to store them into the limited space of MARSIS internal Flash Memory (FM), it is necessary to perform a significant data volume reduction, that shall be achieved with the following two techniques:

- 1) Echoes Pre-Summing Technique (blue bars in Fig. 2.1)
- 2) Receiving Window Resize Technique (green bars of Fig. 2.1)

Applying simultaneously these two techniques will make possible to store into the FM, an entire fly-by of about 30 minutes of data, while the actual design of the on-board SW permits to store into the FM not more than about 25s of raw unprocessed data.

The first reduction technique (Echoes Pre-Summing) does not present any relevant on-board implementation effort, however the irreversibility of the process, could have a not negligible impact on the scientific content of the data; for this reason it was decided to limit the Presumming Factor (**PF**) to a maximum of seven echoes.

The second reduction technique, Receiving Window Resize, even if more demanding to implement on-board, thanks to its reversibility presents a minor impact on the science data content. For this purpose, a special function, based on the estimation of the Centre of Gravity (COG) of the radar signal, shall be implemented to identify the main contribution of each Range Compressed and Pre-Summed Echoes by the noise, within the Receiving Window and store them into the FM.



2.1 FRAME STRUCTURE DEFINITION

The frame structure for both channels, is computed adaptively during the flyby, according to the following algorithm:

- The space to be covered by the spacecraft during NB pulses is computed first as:

$$\Delta S = \sqrt{\frac{\lambda \cdot H}{2}} + N_0 \cdot \frac{V_{Tan}}{PRF} \quad (2)$$

- Check the computed ΔS :

$$\text{If } \Delta S < \Delta S_{min} \rightarrow \Delta S = \Delta S_{min} \quad (\Delta S_{min} = 5.5Km)$$

- Evaluate the Frame size NB:

$$NB_{ini} = \text{Int} \left[\frac{\Delta S}{V_{Tan}} \cdot PRF \right] \quad (3)$$

- Check the computed NB_{ini}

$$\text{If } NB_{ini} < NB_{min} \rightarrow NB_{ini} = NB_{min} \quad (NB_{min} = 160)$$

In order to have NB_{ini} multiple of the Presumming Factor **PF**, the following correction shall be applied:

$$NB = \left\lceil \frac{NB_{ini}}{PF} \right\rceil \cdot PF \quad (4)$$

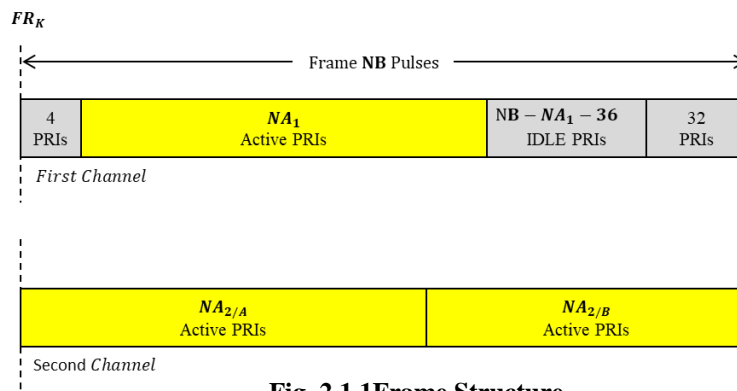


Fig. 2.1.1 Frame Structure



NA_1 PRIs of the first channel shall be used to synthesize a synthetic aperture by coherently processing the radar returns on board. As for NB, NA_1 shall be adaptively computed during the flyby using the following equation:

$$NA_1 = \text{Int} \left[\lambda \cdot \frac{H \cdot PRF}{2 \cdot \gamma \cdot V_{Tan} \cdot \Delta S} \right] \quad (5)$$

- Check the computed NA_1 :

If $NA_1 > NB - N_0 \rightarrow NA_1 = NB - N_0$

Where

- **PRF** is the Pulse Repetition Frequency equal to 130 Hz.
- N_0 is an offset equal to 36 PRIs
- γ is corrective frequency dependent parameter set to (1)
- λ is the wavelength of the Operative Frequency in use.
- **H** is the SC Altitude
- V_{Tan} is the SC Tangential Velocity

$NA_{2/A}$ and $NA_{2/B}$ PRI of the second channel, shall be used to synthesize the two Super-Echoes, inputs to the COG function for the discrimination of the signal by the noise.

$$NA_{2/A} = \text{Int} \left[\frac{NB}{2 \cdot PF} \right] \cdot PF \quad (6)$$

$$NA_{2/B} = NB - NA_{2/A} \quad (7)$$

The following Table shows the main frame parameters within a generic flyby:

BND	N Frames	T [min]	Fr dt [sec]	H [Km]	Vt [Km/s]	DS [Km]	NB PRI	NA PRI	IDLE PRI	FRs separation in PRI
B1	917	-14.51	2.70	950.0	3.65	9.93	345	277	32	68
		0.01	1.54	348.2	4.24	6.58	197	132	29	65
B2	1130	-14.51	2.15	950.0	3.65	7.92	275	208	31	67
		0.01	1.29	348.2	4.24	5.5	165	94	35	71
B3	1214	-14.51	1.90	950.0	3.65	7.0	243	177	30	66
		0.01	1.29	348.2	4.24	5.5	165	71	58	94
B4	1257	-14.51	1.73	950.0	3.65	6.37	221	155	30	66
		0.01	1.29	348.2	4.24	5.5	165	56	73	109

Table 2.1.1 Nominal Frame Structure



2.2 DEMODULATOR (I/Q SYNTHESIS)

The I/Q synthesis shall be applied also for each recorded echo of the second channel, more details can be found in ANNEX 2.

The generic demodulated echo will be represented, in the time and frequency domains, by the following equations:

$$V_t = I(t) + jQ(t) \tag{8}$$

$$V_f = fftshift(fft(V_t)) \tag{9}$$

The high level scheme of Fig.2.1 including also the Demodulation Process is shown if Fig. 2.2.1

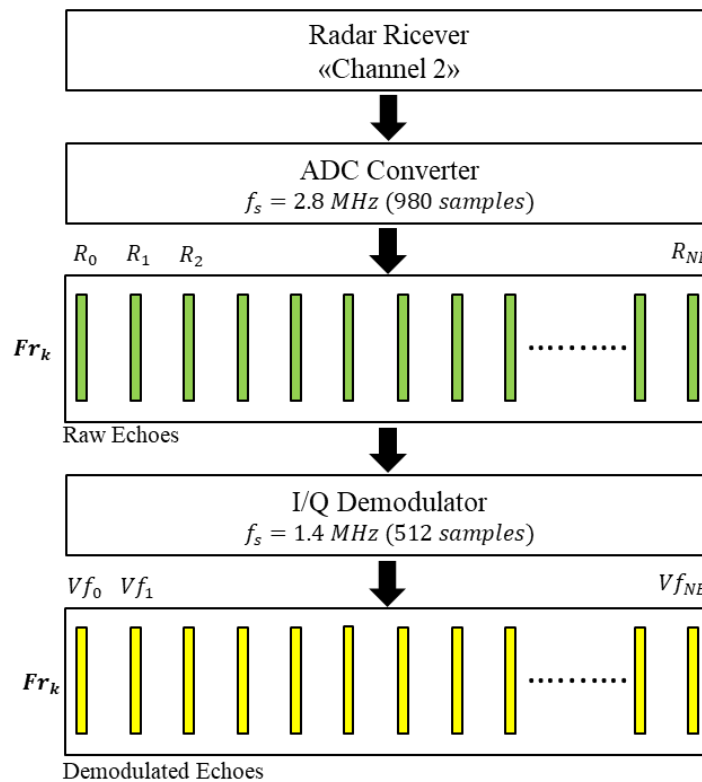


Fig. 2.2.1 Demodulation Process



2.3 ECHOES PRESUMMING TECHNIQUE

The echo pre-summing technique shall be applied with the following purposes:

- 1) Science data volume reduction
- 2) Super-Echo generation process, input to the Centre of Gravity (COG) function

Before summing the echoes, phase compensation w.r.t. the centre frequency shall be carried out to compensate phase displacement, due to satellite radial velocity, accordingly to the scheme of Fig. 2.3.1

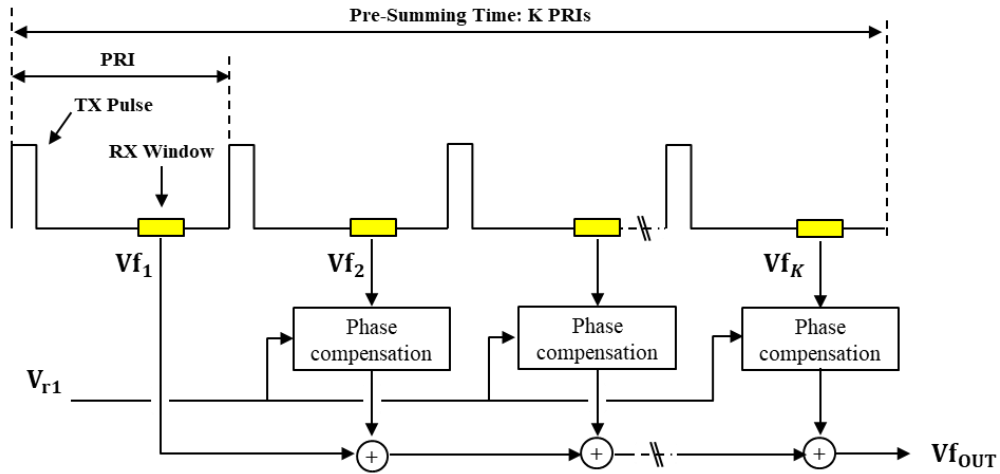


Fig. 2.3.1 Pre-Summing Architecture

Actual phase compensation is a phase increment, computed in accordance with the estimated radial velocity (without considering orbital parameters knowledge inaccuracy). The following equations shall be implemented:

$$Vf_{OUT} = \sum_{N=1}^K Vf_N \cdot e^{j \cdot 2 \cdot \pi \cdot \varphi \cdot (N-1)} \quad (10)$$

Being:

- K = PF → For the Science Data Volume Reduction task
- K = NA_{2/A} → For the **Super-Echo₁** generation (input of the **COG₁** function)
- K = NA_{2/B} → For the **Super-Echo₂** generation (input of the **COG₂** function)



Note that both for Science Data Volume reduction and Super-Echo generation, the radial velocity is constant within the group of PRI to be summed and equal to the radial velocity of the first PRI of the group.

The phase term is given by the following equation:

$$\varphi = \frac{1}{\lambda_{min}} \cdot \left[\frac{2 \cdot V_r}{PRF} \right] \cdot \left[\frac{K \cdot f_s}{N_s \cdot f_{min}} + 1 \right] \quad (11)$$

Where:

N is the summation index.

Vf_N is the generic echo after demodulation in the frequency domain.

$f_{min} = -OP_F - \frac{f_s}{2}$ for the Operative Band B1

$f_{min} = OP_F - \frac{f_s}{2}$ for the Operative Bands: B2, B3 and B4

OP_F is the operative frequency, to be selected among the Bands: B1, B2, B3 and B4

f_s is the equivalent sampling rate of the I/Q data stream (1.4 MHz)

λ_{min} is the correspondent wavelength ($\lambda_{min} = \frac{c}{f_{min}}$)

V_r is the radial velocity of the first echo of the group

PRF is the pulse repetition frequency

K is the FFT bin index ranging from 0 to 511

N_s is the number of complex samples available at the FFT output (512 samples)

Considering the high level scheme of Fig.2.1, the two Pre-Summing tasks to be performed in the frame of the second channel, are shown in the following Fig. 2.3.2

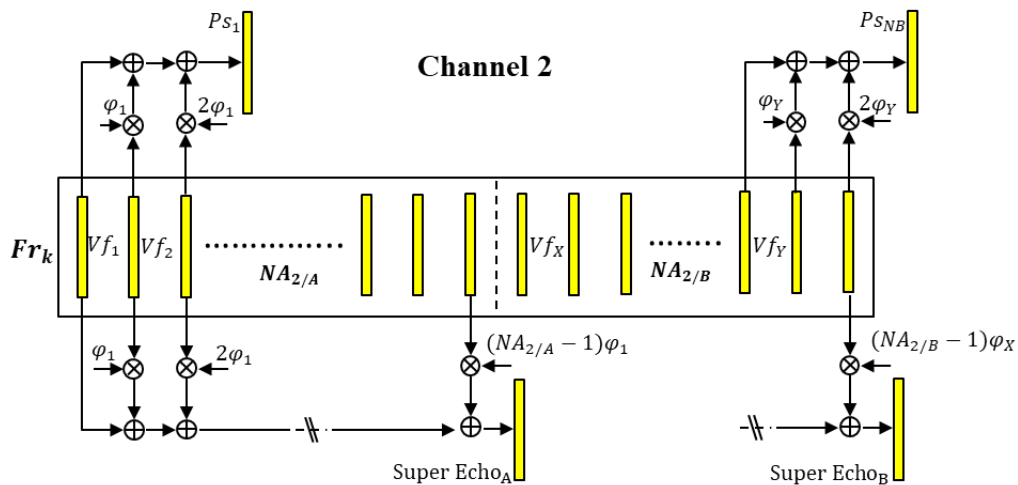


Fig. 2.3.2 Pre-Summing Structure



2.4 ON-BOARD RANGE COMPRESSION

The range compression will allow a range resolution equivalent to 150 m in vacuum. The Reference Function to be used for the execution of the Range Compression is stored into the Parameter Table (PT), see ANNEX 4 for more details.

The range compression is completed by multiplying sample by sample the resulting Presumming filter by the Reference Function and executing the IFFT, as shown by the following equations:

$$Vf_{RC} = Vf_{OUT} \cdot Ref_Fun_f \quad (12)$$

$$Vt_{RC} = IFFT(Vf_{RC}) \quad (13)$$

Where:

$$Ref_Fun_f = Ref_Fun_Real_Comp_f + J \cdot Ref_Fun_Img_Comp_f \quad (14)$$

The Reference Function Real and Imaginary coefficients are extracted from PT and also reported in ANNEX 4; in paragraph 5.4.1 there are the coefficients for the Reference Function of bands: B2, B3 and B4, while in paragraph 5.4.2, there are the coefficients for the Reference Function of band B1. The number of bits to encode the echo's samples (**ECHO_SAMP_BIT**) will depend on the selected Pre-Summing Factor (PF) and it will be extracted from PT. More details about the signal dynamic as a function of the PF can be found in ANNEX 1. Considering the high level scheme of Fig.2.1, the Echoes Range Compression process is shown in the following Fig. 2.4.1

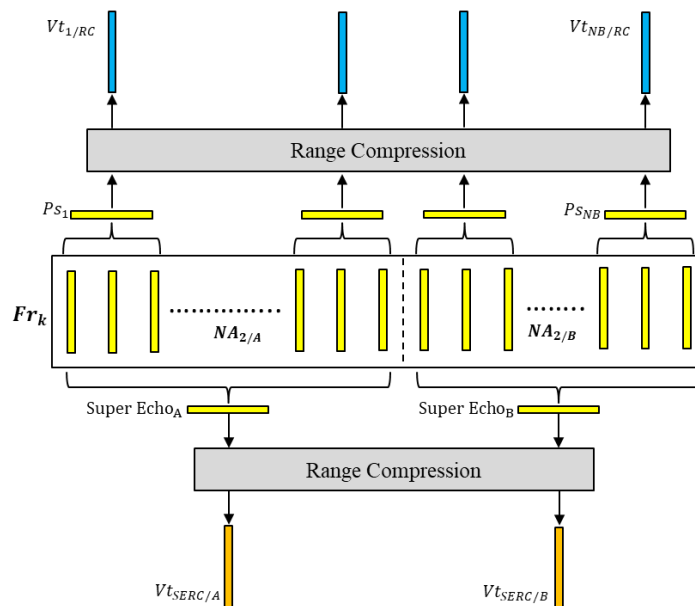


Fig. 2.4.1 Range Compression Structure



Date 10/01/2023
Issue 1
Revision 0
Page 15 of 81

2.5 RECEIVING WINDOW RESIZE TECHNIQUES

In order to reduce the Data Volume for the Real and Imaginary components of the Range Compressed echoes to be stored into the FM, it is necessary to reduce the number of the samples representing the signals within the receiving window, from the standard 512 samples to a smaller one.

The following two techniques shall be implemented and it shall be possible to select either one or the other using a specific new flag (**WIN_CUT_TYPE**) inside the Operation Sequence Table (OST).

CENTRE OF GRAVITY (COG)

The first method is based on an algorithm that estimates the Centre of Gravity (COG) of the signal, after the range compression, in the time domain. In detail, as anticipated in section 2.3 (see fig 2.3.2), the algorithm will use the so called Super Echoes to estimate the samples interval to cut out from the full 512 samples receiving window, without altering the relevant radar signal information.

It is worth noting that the signal position within the receiving window is unknown. As shown in fig. 2.1, the trigger of the Tracking Phase performed in the Channel 1 is also used for Channel 2, but this is not sufficient to know with accuracy the signal position. Actually, the final effect of the Tracking is to maintain the signal in a well-defined position in the receiving window, allowing to limit the samples interval to be analysed. It is clear that the task to resize the receiving window, requires a high level of accuracy in the identification of the samples where the signal is located. In order to correctly identify the signal position within the receiving window, it has been developed a dedicated algorithm, described by the high level processing flow diagram of fig. 2.5.1. See ANNEX 3 for more details and some test results.

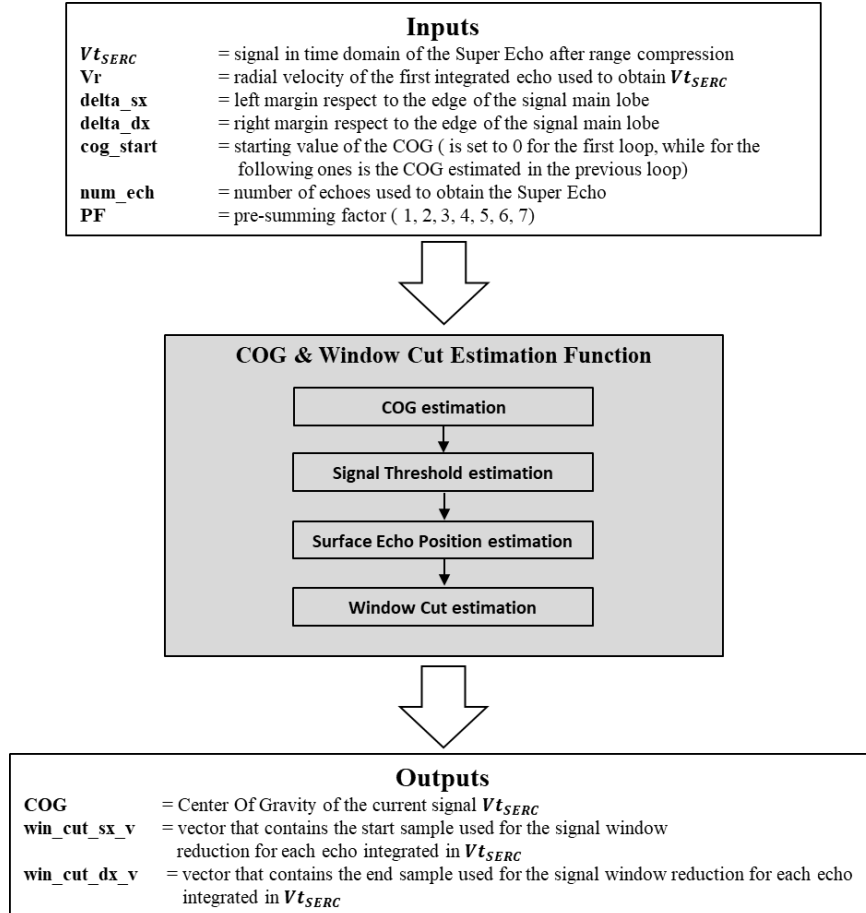


Fig. 2.5.1 COG & Window Cut Algorithm

This algorithm shall be applied separately on both outputs $Vt_{SERC/A}$ and $Vt_{SERC/B}$, as shown in fig. 2.4.1. The first step is represented by the evaluation of the COG, accordingly to the following equation:

$$COG_K = \frac{\sum_{i=COG_START_IND}^{COG_END_IND} i \cdot P_D(i)}{\sum_{i=COG_START_IND}^{COG_END_IND} P_D(i)} \quad (15)$$

Where:

COG_START_IND is the first sample for the computation of the COG, it is extracted from PT.
 COG_END_IND is the last sample for the computation of the COG, it is extracted from PT.
 $P_D(i)$ are the power detected samples.



Date 10/01/2023
Issue 1
Revision 0
Page 17 of 81

In particular, $P_D(i)$ are the power detected samples (real and imaginary part combined to give the square modulus), as shown by the following equation:

$$P_D(i) = (\text{real}(Vt_{SERC}(i)))^2 + (\text{imag}(Vt_{SERC}(i)))^2 \quad (16)$$

While Vt_{SERC} represents the signal of the Super Echo after range compression in time domain.

The accuracy of the COG estimation depends on the signal shape. Considering an ideal signal, the COG coincides with the position of main lobe pick.

On the contrary, for a real signal the COG can assume different positions according to the backscattering characteristics of the area observed by the radar.

For echoes reflected by flat surfaces the COG will be very accurate and very close to the signal main lobe, while in presence of rough surface or subsurface layers the COG position will vary according to the magnitude of these phenomena.

The first step of the algorithm consists in the estimation of the COG, that will be used to define the interval where the most meaningful part of the radar signal is supposed to be present.

The second step consists in the evaluation of the mean value of the signal contained in the interval, that shall be considered as a threshold to identify the beginning of the signal itself.

In the third step, the first sample of the interval that is greater than the threshold, can be considered as the edge of the surface echo response. It is now possible to define both the starting and the ending samples of the signal window to cut.

The last step of the algorithm is the window optimization, calculated using the Super Echo and to be used for all the original echoes belonging to the Super Echo itself.

In detail, considering that the Super Echo is evaluated integrating the echoes after a phase compensation, the window cut samples are estimated with reference to the position of the first echo. In order to correctly apply the window cut to the original echoes it is necessary to remove the phase correction.

After this step, each original echo, included in the Super Echo, will have its own window cut. Finally, the receiving window of the real and imaginary components, of the generic range compressed $Vt_{RC}(k)$, will be cut according to the following equation:

$$Vt_{RC_CUT} = Vt_{RC}(FIRST_ECHO_SAMP:LAST_ECHO_SAMP) \quad (17)$$

Where:

$$FIRST_ECHO_SAMP = \text{win_cut_sx_v}(k), \quad k=1,\dots,n$$

$$LAST_ECHO_SAMP = \text{win_cut_dx_v}(k), \quad k=1,\dots,n$$



The value of “n” will be $NA_{2/A}$ or $NA_{2/B}$ (see fig. 2.4.1) according to the related Super Echo. The `FIRST_ECHO_SAMP` value, shall be also reported in the echo’s header, to correctly re-position the signal within the receiving window, once the data will be processed on-ground.

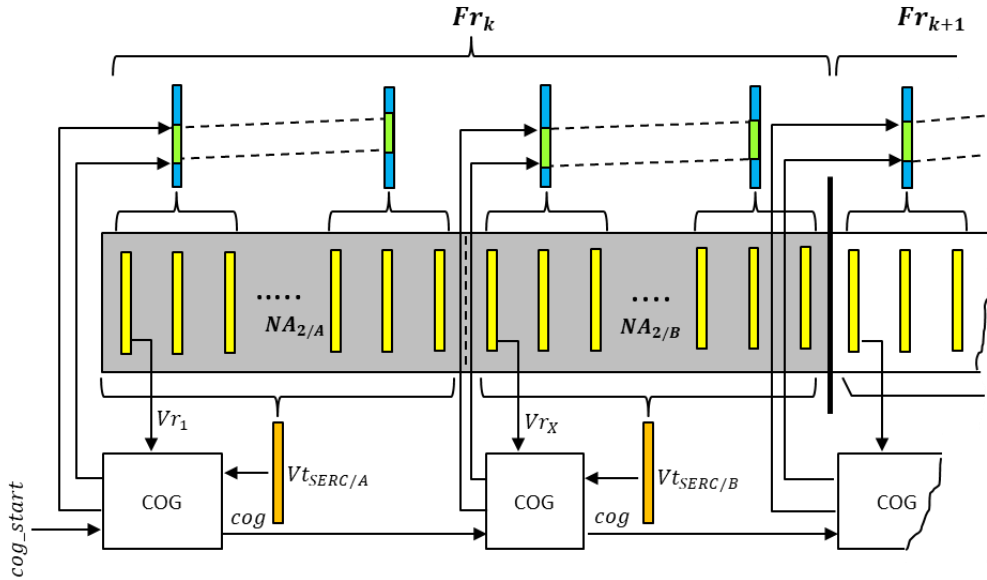


Fig. 2.5.2 Window Cut Algorithm Overall diagram

WIN FIXED RANGE (WFR)

This method consists of selecting a specific segment of the Range Compressed signal, accordingly to the indexes specified by the following parameters, extracted from PT:

$$FIRST_ECHO_SAMP = WFR_START_IND \quad (18)$$

$$LAST_ECHO_SAMP = WFR_STOP_IND \quad (19)$$

$$Vt_{RC_CUT} = Vt_{RC}(FIRST_ECHO_SAMP:LAST_ECHO_SAMP) \quad (20)$$

Where:

WFR_START_IND is the first echo sample, extracted from PT

WFR_STOP_IND is the first echo sample, extracted from PT

Super Echoes generation and COG & Window Cut estimation are not necessary in this case, as shown in Figure 2.5.3

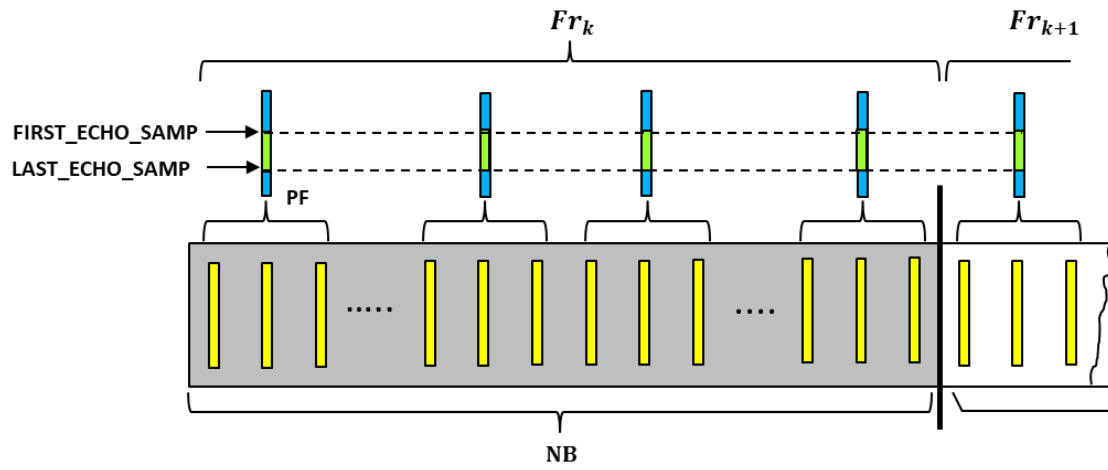


Fig. 2.5.3 Window Cut using WIN FIXED RANGE



2.6 OST AND P.T. PARAMETERS

OST PARAMETERS FOR SSM (Mode Selection bits = 1110b)

Field	Size (bit)	Format	Bit Position	Bit Configuration	Description
Mode Duration PRI	24	Enum	8 : 31	Same configuration of existing Operative Modes	OPM duration in number of PRI
Mode Selection/DCG Configuration	4+4	Enum	34 : 41	SSM - Band 1 (Param. Value = 224) SSM - Band 2 (Param. Value = 228) SSM - Band 3 (Param. Value = 232) SSM - Band 4 (Param. Value = 236)	Operative mode Identifier and Band Selection
LOL	1	Enum	51 : 51	0 → if Loss of Lock Logic, remain in Tracking. 1 → if Loss of Lock Logic re-start tracking with range polynomial coefficients	Loss of Lock Logic configuration, of channel 1
WIN_CUT_TYPE	1	Enum	55:55	0 → COG Method 1 → WFR Method	Receiving Window reduction method
PF	3	Enum	57 : 59	0 → No Presumming 1 → No Presumming 2 → Presumming Factor = 2 3 → Presumming Factor = 3 4 → Presumming Factor = 4 5 → Presumming Factor = 5 6 → Presumming Factor = 6 7 → Presumming Factor = 7	Presumming Factor
TX_POWER	4	Enum	60 : 63	TX Power Level	Same configuration of existing OPM

Table 2.6.1 OST Fields Configuration



OST PARAMETERS DETAILS

OST fields		Consiguration	POR Format	Note			
0 7	PAD	NA	NA	Field is not in the POR			
8 : 31	Mode Duration in PRI	Raw Tupe : UNIT Eng Tupe: NA	H 774	Number of PRI			
32 33	PAD	NA	NA	Field is not in the POR			
34 : 37	Mode Selection	Raw Tupe : UNIT Eng Tupe: TEXT	OPM Codes: SSM - Band 1 SSM - Band 2 SSM - Band 3 SSM - Band 4	Operative Mode ID a band configuration. The implementation of this field requires an update of the ESOC DB			
38 : 41	DCG Configuration						
42 43 44 45 46 47	Spare	Raw Tupe : UNIT Eng Tupe: TEXT	PIS1B0PIS2B0	Field not read by SSM mode. It shall be filled anyway to avoid POR format error			
	Spare						
48 49 50 51 52 53 54 55 56 57 58 59	Spare LOL = Xb Spare WIN_CUT_TYPE Spare PF	Raw Tupe : UNIT Eng Tupe: NA	0	SSM reads just the following fields: -LOL (for channel 1) -WIN_CUT_TYPE (for channel 2) -PF (for channel 2)			
60 : 63	TX Power				TX PWR NULL	TX Power configuration for both Channels	
64 : 75	Spare				Raw Tupe : UNIT Eng Tupe: NA	0	Field not read by SSM mode. It shall be filled anyway to avoid POR format error
76 : 79	Spare				Raw Tupe : UNIT Eng Tupe: TEXT	NoFMStore	Field not read by SSM mode. It shall be filled anyway to avoid POR format error
80 : 95	Spare				Raw Tupe : UNIT Eng Tupe: NA	0	Field not read by SSM mode. It shall be filled anyway to avoid POR format error

Table 2.6.2 OST Fields Details



Date 10/01/2023
Issue 1
Revision 0
Page 22 of 81

PT PARAMETERS

PT Line Number	Parameter	Default Value	Range	Size [bit]	Description
202	ECHO_SAMP_N_BIT_PF_1	8	8 : 15	32bit int	Number of bit to encode the echo's samples after the on-board RC.
203	ECHO_SAMP_N_BIT_PF_2	9	8 : 15	32bit int	Number of bit to encode the echo's samples after the on-board RC.
204	ECHO_SAMP_N_BIT_PF_3	9	8 : 15	32bit int	Number of bit to encode the echo's samples after the on-board RC.
205	ECHO_SAMP_N_BIT_PF_4	10	8 : 15	32bit int	Number of bit to encode the echo's samples after the on-board RC.
206	ECHO_SAMP_N_BIT_PF_5	10	8 : 15	32bit int	Number of bit to encode the echo's samples after the on-board RC.
207	ECHO_SAMP_N_BIT_PF_6	11	8 : 15	32bit int	Number of bit to encode the echo's samples after the on-board RC.
208	ECHO_SAMP_N_BIT_PF_7	11	8 : 15	32bit int	Number of bit to encode the echo's samples after the on-board RC.
209	WFR_START_IND	1	1 : 512	32bit int	First Receiving Window sample in the WFR method
210	WFR_STOP_IND	117	1 : 512	32bit int	Last Receiving Window sample in the WFR method
211	N_SAMP_COG_SX	30	1 : 127	32bit int	N samp Prior COG Index
212	N_SAMP_COG_DX	40	1 : 127	32bit int	N samp Post COG Index
213	COG_START_IND	1	1 : 512	32bit int	First Receiving Window sample for the COG method
214	COG_STOP_IND	117	1 : 512	32bit int	Last Receiving Window sample for the COG method
215	TRIG_OFFSET_CH2	0	[us]	32bit float	Offset to be added to the Second Channel Trigger

Table 2.6.3 Parameter Table New Coefficients



2.7 SSM DATA MANAGEMENT

The following storage format, shall be considered for the Operative Mode SSM: Real and Imaginary components of each processed signal, also equipped with an header, shall be stored into FM as a single stream of bytes, as illustrated in Fig. 2.7.1

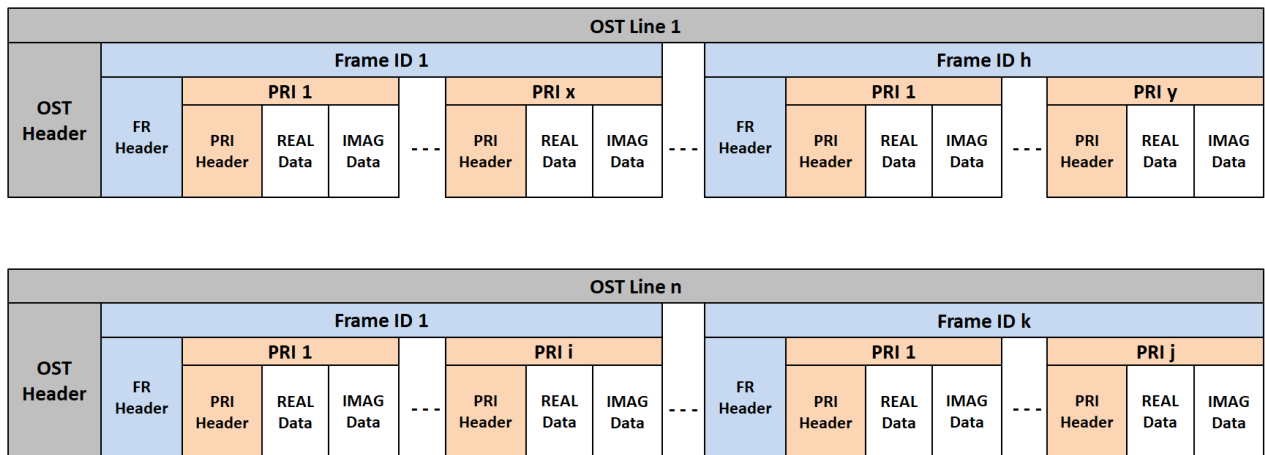


Fig. 2.7.1 SSM FM data format

OST HEADER FORMAT

Field	Size (bit)	Format	Description
OST ID	4	Uint	OST ID number
FRAME_NUMBER	12	Uint	Number of frames in the OST line
Full OST Line	96	bitstream	Full OST line bitstream
SCET 1st PRI of 1 st Frame	48	SCET	SCET sampled at the beginning of the Frame (1st PRI of Frame)
On-board computed PRF	32	Float	PRF measured on-board
TRIG_OFFSET_CH2	32	Float	Offset added to the Second Channel Trigger
ECHO_SAMP_N_BIT_PF	4	Uint	Number of bits to encode the echo's samples (it depends on the commanded Presumming Factor)
WFR_START_IND	10	Uint	First Receiving Window sample in the WFR method
WFR_SIZE	8	Uint	Receiving Window size in samples for the WFR method
COG_START_IND	10	Uint	Position of first sample for COG computation
COG_SIZE	8	Uint	Sub-window size in samples for COG computation
N_SAMP_COG_SX	8	Uint	N samp Prior COG Index
N_SAMP_COG_DX	8	Uint	N samp Post COG Index
1 st frame MUTE PRI	8	Uint	Number of "mute" PRI at the beginning of 1 st frame
Total HEADER size = 288 bits (36 bytes)			

Table 2.7.1 SSM OST Header



Date 10/01/2023
Issue 1
Revision 0
Page 24 of 81

FRAME HEADER FORMAT

Field	Size (bit)	Format	Description
FRAME_ID	13	Uint	Frame ID number
AGC	3	Enum	AGC attenuation, from 2 to 30dB at 4dB steps
RX TRIGGER	16	Uint	RX trigger expressed as number of 2.8MHz intervals
FRAME_ID_1 st half	14	Uint	Frame ID number for NA_2a sub-frame
FIRST_SAMP_REC_WIN 1 st half	10	Uint	Position of the echo's first sample in the Rec Win for NA_2a sub-frame
NUM ECHOES 1 st half	8	Uint	Number of echoes in NA_2a sub-frame
FRAME_ID_2nd half	14	Uint	Frame ID number for NA_2b sub-frame
FIRST_SAMP_REC_WIN 2nd half	10	Uint	Position of the echo's first sample in the Rec Win for NA_2b sub-frame
NUM ECHOES 2nd half	8	Uint	Number of echoes in NA_2b sub-frame
Total HEADER size = 96 bits (12 bytes)			

Table 2.7.2 SSM FRAME Header

PRI HEADER FORMAT

Field	Size (bit)	Format	Description
ECHO_ID	16	Uint	Echo ID number
Phi0 vRad	32	Float	Radial Velocity used for computation of phi0
Total HEADER size = 48 bits (6 bytes)			

Table 2.7.3 SSM PRI Header



The following tables shows the value of the Data Volume and number of orbits that can be stored into the FM, as function of the Pre-Summing factor and the dimension of the Sub Receiving Window to retrieve:

PF	Receiving Window N Samples 80 (57 us)			Receiving Window N Samples 70 (50 us)			Receiving Window N Samples 65 (46.4us)		
	DV [Mb]	DT [min]	NO	DV [Mb]	DT [min]	NO	DV [Mb]	DT [min]	NO
1	288	13.6	0.5	252.3	15.5	0.5	234.4	16.7	0.6
2	162	24.1	0.8	141.8	27.5	0.9	131.7	29.6	1.0
3	120	32.6	1.1	105.0	27.2	1.3	97.6	40.1	1.4
4	90	43.4	1.5	78.8	49.6	1.7	73.2	53.4	1.8
5	72	54.2	1.8	63.0	62.8	2.1	58.6	66.7	2.3
6	66	59.2	2.0	57.8	67.6	2.3	53.7	72.8	2.5
7	57	69.1	2.4	49.5	78.9	2.7	46.0	85.0	2.9

Table 2.7.4 Data Volume and duration

- PF: Presumming Factor
- DV: Total Data Volume (Science DV and Header DV) stored into the FM
- DT: Maximum flyby duration
- NO: Number of orbits that can be stored into the FM

Considering:

- On-board Flash Memory size = 16.7 MB (134217728 bits)
- Nominal duration of an observation (orbit) = 1755 sec (29.25min)

Science Data telemetries sent to SC over OBDH bus for SSM will include just first channel data. That is, no PIS data will be reported, as PIS itself will be skipped in SSM:

SCIENTIFIC DATA IDs				DATA RATE				
Operative Mode	Mode Sel	Proc. ID & Data Type		bytes per Frame	TM-Pack. number	Dipole-F1 (byte) ² .		
SSM	1110 _b	77 _d	11 _b	3072	1	512 (8 bit/sa RE)	512 (8 bit/sa IM)	X 3

Table 2.7.5 TM(20,3) Scientific Data field fine structure.



Auxiliary data for SSM are reported in the following table (note that F2 data will be identical to F1 ones):

First PRI of the Frame – Uint	32 bit
SCET_FRAME – Uint	48 bit
SCET_PERICENTER – Uint	48 bit
SCET_PAR – Uint	48 bit
H(SCET_PAR) – Spfloat	32 bit
VT(SCET_PAR) – Spfloat	32 bit
VR(SCET_PAR) – Spfloat	32 bit
N_o – Uint	32 bit
ΔS_{MIN} – Spfloat	32 bit
NB_MIN – Uint	16 bit
M_OCOG_F1 – Spfloat	32 bit
M_OCOG_F2 – Spfloat	32 bit
Index_OCOG_F1 – Uint (1...512)	16 bit
Index_OCOG_F2 – Uint (1...512)	16 bit
TRK_Threshold_F1 – Spfloat	32 bit
TRK_Threshold_F2 – Spfloat	32 bit
ini_ind_TRK_Threshold_F1 – Uint (1...512)	16 bit
ini_ind_TRK_Threshold_F2 – Uint (1...512)	16 bit
last_ind_TRK_Threshold_F1 – Uint (1...512)	16 bit
last_ind_TRK_Threshold_F2 – Uint (1...512)	16 bit
ini_ind_FSRM_F1 – Uint (1...512)	16 bit
ini_ind_FSRM_F2 – Uint (1...512)	16 bit
last_ind_FSRM_F1 – Uint (1...512)	16 bit
last_ind_FSRM_F2 – Uint (1...512)	16 bit
Spare (0x0)	96 bit
$\Delta S(SCET_PAR)$ – Spfloat	32 bit
NB(SCET_PAR) – Uint	16 bit
NA_1(SCET_PAR) – Uint	16 bit
NA_2(SCET_PAR) – Uint	16 bit
a2_ini_cm_F1 – Spfloat1	32 bit
a2_ini_cm_F2 – SpfloatVI	32 bit
a2_opt_F1 – SpfloatVI	32 bit
a2_opt_F2 – SpfloatVI	32 bit
Ref_CA_opt_F1 – SpfloatVI	32 bit

¹ cf. note to the same parameter in SS1.

Ref_CA_opt_F1 – SpfloatVI	32 bit
δt_{F1} – Uint (0 in case of FSRM failure, else 1...512)VI	16 bit
δt_{F2} – Uint (0 in case of FSRM failure, else 1...512)VI	16 bit
Sf_F1 – SpfloatVI	32 bit
Sf_F2 – SpfloatVI	32 bit
I_c_F1 – Uint (-1 in case of threshold comparison failure, else 1...512)VI	16 bit
I_c_F2 – Uint (-1 in case of threshold comparison failure, else 1...512)VI	16 bit
AGC_SA_for_Next_Frame_F1 – Spfloat (db)	32 bit
AGC_SA_for_Next_Frame_F2 – Spfloat (db)	32 bit
AGC_SA_Levels_Current_Frame_F1 (HW register, binary)VI	8 bit
AGC_SA_Levels_Current_Frame_F2 (HW register, binary)VI	8 bit
RX_Trig_SA_for_Next_Frame_F1 – Uint (μ s)	16 bit
RX_Trig_SA_for_Next_Frame_F2 – Uint (μ s)	16 bit
RX_Trig_SA_progr_F1 – Uint (HW register)VI	16 bit
RX_Trig_SA_progr_F2 – Uint (HW register)VI	16 bit
ini_ind_OCOG (1...512) – Uint	16 bit
last_ind_OCOG (1...512) – Uint	16 bit
OCO_G_F1 – Spfloat	32 bit
OCO_G_F2 – Spfloat	32 bit
A_F1 – Spfloat	32 bit
A_F2 – Spfloat	32 bit
C_LoL_F1 – Int	16 bit
C_LoL_F2 – Int	16 bit
(0x0)	16 bit
(0x0)	16 bit
(0x0)	16 bit
Maximum RE output data exp [m = -1; OP_F1; Dipole] – Uint	8 bit
Maximum IM output data exp [m = -1; OP_F1; Dipole] – Uint	8 bit
Maximum RE output data exp [m = 0; OP_F1; Dipole] – Uint	8 bit
Maximum IM output data exp [m = 0; OP_F1; Dipole] – Uint	8 bit
Maximum RE output data exp [m = 1; OP_F1; Dipole] – Uint	8 bit
Maximum IM output data exp [m = 1; OP_F1; Dipole] – Uint	8 bit
Maximum RE output data exp [m = -1; OP_F2; Dipole] – Uint	8 bit
Maximum IM output data exp [m = -1; OP_F2; Dipole] – Uint	8 bit
Maximum RE output data exp [m = 0; OP_F2; Dipole] – Uint	8 bit
Maximum IM output data exp [m = 0; OP_F2; Dipole] – Uint	8 bit
Maximum RE output data exp [m = 1; OP_F2; Dipole] – Uint	8 bit
Maximum IM output data exp [m = 1; OP_F2; Dipole] – Uint	8 bit
(0x0)	8 bit
(0x0)	8 bit
(0x0)	8 bit
(0x0)	8 bit
(0x0)	8 bit
(0x0)	8 bit

(0x0)	8 bit
(0x0)	8 bit
AGC PIS PT VALUE B2	32 bit
AGC PIS PT VALUE B2	32 bit
AGC PIS LEVELS B1	8 bit
AGC PIS LEVELS B2	8 bit
K PIM	8 bit
PIS MAX B1	8 bit
PIS MAX B2	8 bit
Processing_PRF – Spfloat	32 bit
Spare (0x0)	8 bit
Total	228 bytes

**Table 2.7.6 Auxiliary Data for SSM
(Process ID 77, Science Data Type 11)**



3 PHOBOS NEW OPERATIVE MODE (SSP)

Assuming that Phobos would not be observed by MARSIS, the on-board SW was originally designed and optimized, to operate exclusively on Mars.

However, it was possible to implement a particular parameters configuration of the MARSIS on-board SW, called “Range Ambiguity,” that allowed to observe also Phobos partially overriding some of the instrument limitations, affecting this particular observation. This parameter configuration is indeed quite complex and presents some additional drawbacks..

This paragraph describes the SW requirements to implement a new operative mode, called **SSP** to improve the instrument performances at observing Phobos, eliminating the drawbacks of the actual method of observation. This new modality shall be optimized for the two main Phobos observation scenarios:

1. Distant Observation Scenario (**DOS**), when Phobos closest approach is higher than 180 km
2. Near Observation Scenario (**NOS**), when Phobos closest approach is lower than 180 km

The operative mode **SSP** shall manage continuous raw unprocessed data, after A/D conversion at 980 samples (8bit/sample) per PRI. All science raw data generated during the flyby will be directly moved to non-volatile memory (FM). Dump of the data from FM can be performed in later orbits, and once all the data have been sent to ground, it will be possible to process them with dedicated algorithms.

The acquisition scheme is similar to the one used in operative mode SSM, but the scientific data will be retrieved only from the first Channel, as shown in Fig. 3.1

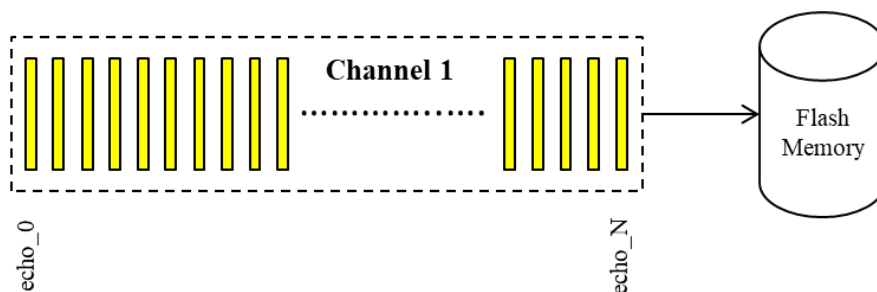


Fig. 3.1 SSP acquisition mechanism



Date 10/01/2023
Issue 1
Revision 0
Page 30 of 81

3.1 SSP MODE REQUIREMENTS

- SSP mode shall not produce any science telemetry on the SC bus (OBDH), this will permit to operate simultaneously: MARSIS, PFS and SPICAM.
- Even if MARSIS only records science data (raw echoes) from channel 1, the instrument transmits two pulses (spaced by 450us) for the **Distant Scenario Configuration** and four pulses (spaced by each other by 450us) for the **Near Scenario Configuration**. The transmission band shall be selected by a proper flag (**DCG Configuration**) inside the Operation Sequence Table (OST).
- The two Observations configuration (Distant Scenario and Near Scenario) shall be selected by a proper flag (**OBS_SCE_CONFIG**) inside the Operation Sequence Table (OST).
- The acquisition process shall be performed on a number of PRI, specified by a proper flag (**Mode Duration**) inside the OST.
- The TX power level shall be configured by a proper flag (**TX Power**) inside the OST. Setting a low level of transmitted power, it will be possible to use the SSP mode, to warm up the instrument, while a Power Null level will be use as IDLE mode.
- The Tracking mechanism of the first channel, shall be selected by a proper setting of the **TRK_SEL** flag inside the OST. Two different modalities can be set:

TRK_SEL = 0

The TRIGGERS is fixed, for the entire duration of the OST line. The Trigger value is defined by the specific setting of the **TRIG_SAMP_FIX** filed, inside the OST:

$$RX_TRIG = \frac{TRIG_SAMP_FIX}{2.8} [\mu s] \quad (21)$$

TRK_SEL = 1

The Trigger will be evaluated on board, based on the use of seventh order polynomial, whose eight coefficients are available from PT:

$$H = a_{h0} + a_{h1}t + a_{h2}t^2 + a_{h3}t^3 + a_{h4}t^4 + a_{h5}t^5 + a_{h6}t^6 + a_{h7}t^7 [Km] \quad (22)$$

$$t = T_k/1E3 \quad (23)$$



Check the computed altitude (H)

if $H < PHO_H_THR$

$TO_DET_PHO = TO_DET_PHO_A$

else

$TO_DET_PHO = TO_DET_PHO_B$

end

$$RX_TRIG = \frac{2 \cdot H}{c} \cdot 1E9 + TO_DET_PHO \quad [\mu s] \quad (24)$$

Where

- H: SC altitude in [Km]
 - $a_{h0} - a_{h7}$: PT polynomial coefficients, extracted from PT
 - T_k : Time in seconds of the generic $Echo_k$
 - C: Light's speed [m/s], extracted from PT
 - PHO_H_THR: Altitude threshold parameter in [m]
 - TO_DET_PHO: Preset Offset in [us]
 - TO_DET_PHO_A/B: Trigger Offset parameter in [us], extracted from PT
- The Recording mechanism shall be selected by a proper setting of the **REC_ENAB** flag inside the OST. This requirement will allow to use SSP in the Slow Power Up technical blocks without recording useless data into the Flash Memory.
 - The Automatic Gain Control (AGC) mechanism of the two channels, shall be selected by a proper setting of the **AGC_SEL** flag inside the OST. Two different modes can be set:

AGC_SEL = 0

The Attenuator level of the two channels receivers, assume a constant value within the duration of the SSP mode, defined by the **AGC_FIX** field inside the OST and quantised with 4 dB step, from 2 dB to 30 dB.



AGC_SEL = 1

The Attenuation level of the receiver, shall be estimated every PRI, based on the algorithm shown in the following Fig. 3.1.1:

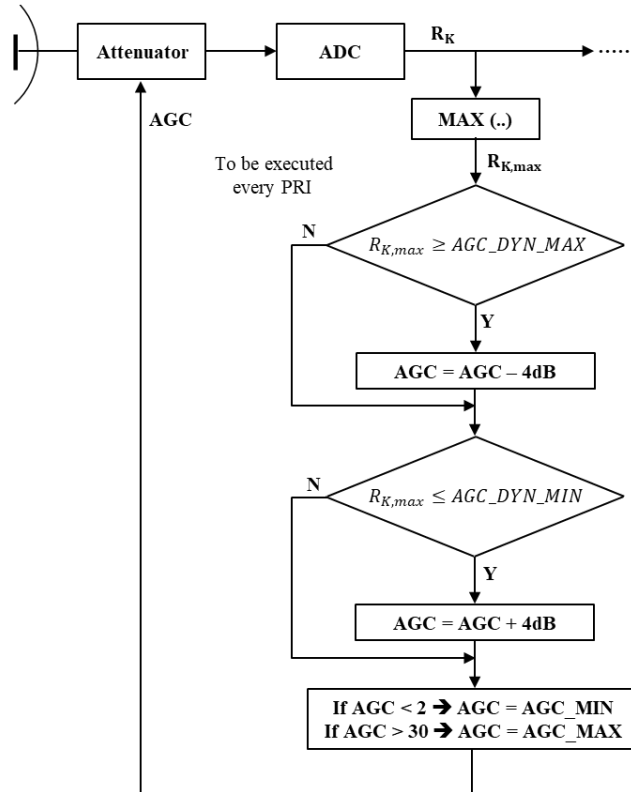


Fig. 3.1.1 AGC Trigger Algorithm

The AGC Trigger Algorithm, compares the maximum value of each echo’s amplitude, with the values of two thresholds: AGC_DYN_MAX and AGC_DYN_MIN, in order to increase or decrease the gain of the two radar receivers for the subsequent echo. The AGC level of the first PRI is defined by the **AGC_FIX** field inside the OST. Fig. 3.1.2 shows the Trigger Algorithm mechanism:

Note that, from the analysis of the FM data collected so far by MARSII, we learn that an increase or a decrease of 4dB of the receiver attenuator corresponds about 35 DN of the echo amplitude.



3.2 ANALYSIS OF OBSERVATION SCENARIOS

In this paragraph will be examined the two observation scenarios, in terms of configuration of the main commanding parameters, in order to build the operative timelines.

DISTANT OBSERVATION SCENARIO (DOS)

When Phobos closest approach is higher than 180 km, the hardware protection mechanism, that precludes any operation when the target range is less than 240 km, can be easily bypassed transmitting two pulses every PRI, and capturing the second generated echo. This configuration shall be enabled setting to “0” the OBS_SCE_CONFIG flag inside the OST line.

In order to capture the second echo and to keep it in the centre of the receiving window, mitigating also a +/-50us (+/- 7.5km) potential inaccuracy of the estimated range polynomial coefficients, it is necessary to add a constant offset of 400us to the Trigger calculated on-board, as shown in Fig. 3.2.1

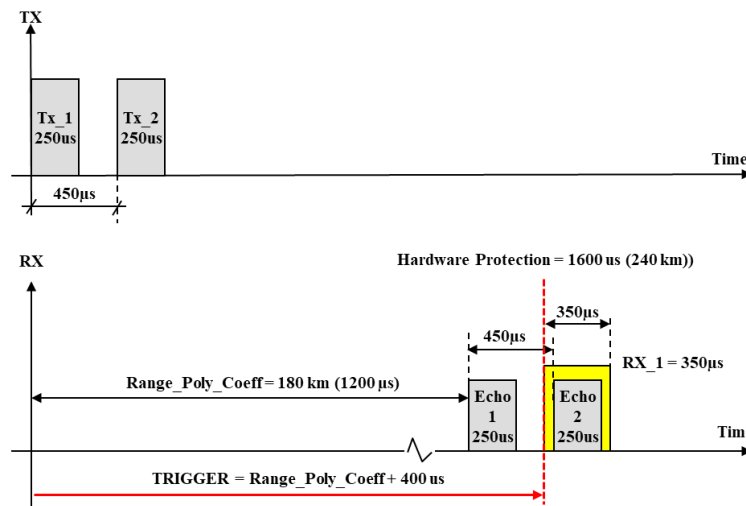


Fig. 3.2.1 Acquisition mechanism when closest approach is higher than 180km

Note that, even if the first echo generated by the transmission of the first pulse, will be always lost, the reception of the second echo produced by the transmission of the second pulse, is always guaranteed during the flyby. In conclusion, the right configuration of the on-board parameters, for the DOS scenario is as follow:

- OBS_SCE_CONFIG = 0 (Two transmitted pulses every PRI)
- PHO_H_THR = 0
- TO_DET_PHO_A/B = 400



NEAR OBSERVATION SCENARIO (NOS)

When Phobos closest approach is lower than 180 km, the hardware protection mechanism, that precludes any operation when the target range is less than 240 km, can be easily bypassed transmitting four pulses every PRI, and capturing the fourth generated echo. This configuration shall be enabled setting to “1” the OBS_SCE_CONFIG flag inside the OST line.

In order to capture the fourth echo and to keep it in the centre of the receiving window it is necessary to add a constant offset to the Trigger calculated on-board, whose value depends on the choice that has been set on the duration of the transmitted pulses.

Fig. 3.2.2 shows the case with the nominal duration of the transmitted pulses of 250us and considering the closest flyby to Phobos that is of 45km.

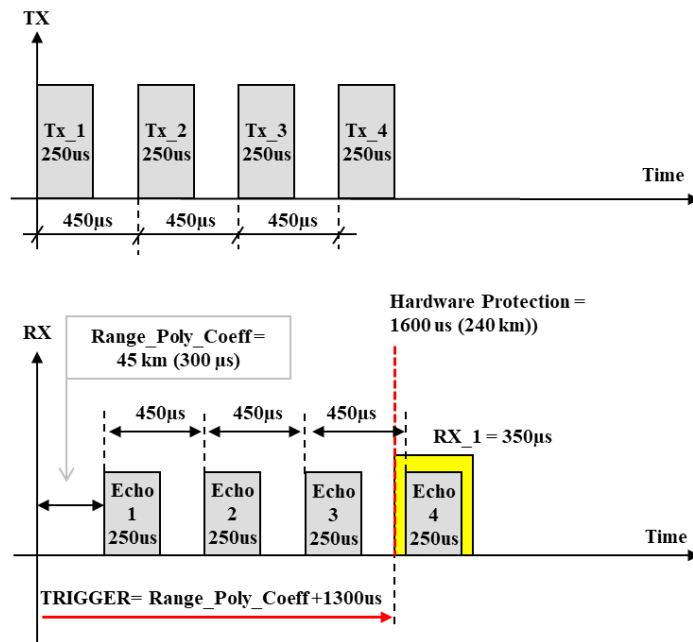


Fig. 3.2.2 Acquisition mechanism when closest approach is lower than 180km and with nominal duration (250us) of TX pulses.

Table 3.3.1 shows the configuration of the main commanding parameters, when Band 3 is selected, to implement the Near Observation Scenario (NOS), with the following TX pulses duration: 30us, 60us, 120us, 150us, 200us and 250us



TX Chirp Duration [us]	TX Chirp Configuration PT Parameters to Load			Trigger Offset PT Parameters lo Load		
	PT Line 518 0x206	PT Line 522 0x20A	PT Line 526 0x20E	PT Line 217 0xD9	PT Line 218 0xDA	PT Line 219 0xDB
30	Default configuration, already on-board			[+1190us] 0x4494 0xC000	[+1190us] 0x4494 0xC000	[0] 0x0000 0x0000
60	0x0000 0x1C02	0x0000 0x8B03	0x0000 0x0544	[+1205us] 0x4496 0xA000	[+1205us] 0x4496 0xA000	[0] 0x0000 0x0000
120	0x0000 0x0E02	0x0000 0x4503	0x0000 0x0A84	[+1235us] 0x449A 0x6000	[+1235us] 0x449A 0x6000	[0] 0x0000 0x0000
150	0x0000 0x0B02	0x0000 0x2E03	0x0000 0x0D24	[+1250us] 0x449C 0x4000	[+1250us] 0x449C 0x4000	[0] 0x0000 0x0000
200	0x0000 0x0802	0x0000 0x6203	0x0000 0x1184	[+1275us] 0x449F 0x6000	[+1275us] 0x449F 0x6000	[0] 0x0000 0x0000
	PT Line 519 0x207	PT Line 523 0x20B	PT Line 527 0x20F	PT Line 217 0xD9	PT Line 218 0xDA	PT Line 219 0xDB
250	0x0000 0x0602	0x0000 0xB503	0x0000 0x15E4	[+1300us] 0x44A2 0x8000	[+1300us] 0x44A2 0x8000	[0] 0x0000 0x0000

Table 3.2.1 SSP Commanding Configuration for the Near Observation Scenario using Band 3

Note that a short duration of the transmitted pulses (30us for example) will allow to better mitigate the potential inaccuracy of the estimated range polynomial coefficients loaded on-board; with a tolerance of +/-160us (24km) but with a loss in term of power of bout 9dB, from the nominal case (250us). Vice versa a long duration of the transmitted pulses (250us for example) will allow to have a good SNR level, as the radiated power is higher: but with lower tolerance on altitude inaccuracy, +/-50us (7.5km).



3.3 OST AND P.T. PARAMETERS

OST PARAMETERS FOR SSP (Mode Selection bits = 1101b)

Field	Size (bit)	Format	Bit Position	Configuration	Description
Mode Duration in PRI	24	Enum	8 : 31	Same configuration of existing Operative Mode	OPM duration in number of PRI
Mode Selection/DCG Configuration	4+4	Enum	34 : 41	SSP - Band 1 (Param. Value = 208) SSP - Band 2 (Param. Value = 212) SSP - Band 3 (Param. Value = 216) SSP - Band 4 (Param. Value = 220)	Operative mode Identifier and Selected Band
OBS_SCE_CONFIG	1	Enum	53 : 53	0 → Distant Observation Scenario 1 → Near Observation Scenario	Flag to select the Observation Scenario
AGC_SEL	1	Enum	54 : 54	0 → Read receivers attenuator from OST (AGC_FIX) 1 → Receivers attenuator defined on-board	Mechanism to calculate the Receivers attenuator.
TRIG_SEL	1	Enum	55 : 55	0 → Read Trigger from OST (TRIGGER_FIX) 1 → The Trigger is defined on-board	Mechanism to calculate the Trigger
REC_ENABLE	1	Enum	56 : 56	0 → Recording Disabled 1 → Recording Enabled	Mechanism to Enable and Disabled the data recording phase
AGC_FIX	3	Enum	57 : 59	000 (0) → 2dB 001 (1) → 6dB 010 (2) → 10dB 011 (3) → 14dB 100 (4) → 18dB 101 (5) → 22dB 110 (6) → 26dB 111 (7) → 30dB	<u>AGC_SEL = 0</u> Level of attenuator to be set for both the channel receivers <u>AGC_SEL = 1</u> Level of the first PRI AGC
TX_POWER	4	Enum	60 : 63	Same configuration of existing Operative Mode	
TRIGGER_FIX	16	Enum	80 : 95		Trigger expressed as number of step at $\frac{1}{2.8} [\mu s]$. TRIG_SAMP = TRIG_us*2.8 This field is read, only when TRIG_SEL = 0

Table 3.2.1 OST Fields Configuration



OST PARAMETERS DETAILS

OST fields	Consiguration	POR Format	Note
0 7 : PAD	NA	NA	Field not coded in the POR
8 : Mode Duration in PRI 31	Raw Tupe : UNIT Eng Tupe: NA	H 774	Overwritten existing OPM FM2Ram (ID = 13), originally reserved for RAMtoFM
32 33 : PAD	NA	NA	Field not coded in the POR
34 : Mode Selectioin 37 38 : DCG Configuration 41	Raw Tupe : UNIT Eng Tupe: TEXT	OPM Codes: SSP - Band 1 SSP - Band 2 SSP - Band 3 SSP - Band 4	The implementation of this field requires an update of the ESOC DB
42 43 : P1-B1 44 45 : P2-B2 46 47	Raw Tupe : UNIT Eng Tupe: TEXT	PIS1B0PIS2B0	Field ignored by SSP, however it shall be set the same to avoid POR format error
48 : OBS_SCE_CONFIG 49 : RFS = 00b 50 51 : LOL = 00b 52	Raw Tupe : UNIT Eng Tupe: NA	0	
53 : Ch_Sel			
54 : Agc_Sel			
55 : Trig_Sel			
56 : Rec_Enab			
57 : Agc_Fix 58 59			
60 : TX Power 63			
64 : A2 Abscissa 75	Raw Tupe : UNIT Eng Tupe: NA	0	Field ignored by SSP, however it shall be set the same to avoid POR format error
76 : Ind echo FM 79	Raw Tupe : UNIT Eng Tupe: TEXT	NoFMStore	Field ignored by SSP, however it shall be set the same to avoid POR format error
80 : Trigger_Fix 95	Raw Tupe : UNIT Eng Tupe: NA	0	Discretized in step of 1/2.8 [us]

Table 3.2.2 OST Fields Details



Date 10/01/2023
Issue 1
Revision 0
Page 38 of 81

PARATER TABLE (PT) PARAMETERS

PT Line Number	Parameter	Value	Unit	Format	Description
198	AGC_DYN_MIN	90	[]	32bit int	raw dada value Lower limit threshold for dynamic AGC
199	AGC_DYN_MAX	127	[]	32bit int	raw dada value Higher limit threshold for dynamic
200	AGC_MIN	3	[]	32bit int	Guaranteed Minimum value of AGC (register setting;3 = 14dB)
201	AGC_MAX	7	[]	32bit int	Guaranteed Minimum value of AGC (register setting;7 = 30dB)
217	TO_DET_SSP_A	-50	[us]	32bit float	Trigger offset parameter
218	TO_DET_SSP_B	-50	[us]	32bit float	Trigger offset parameter
219	PHO_H_THR	0	[m]	32bit float	Altitude threshold parameter

Table 3.2.3 Parameter Table New Coefficients



3.4 PHO FLASH MEMORY DATA MANAGEMENT

The following storage format, shall be considered for the Operative Mode **SSP**. FM data shall be stored as single stream of bytes organized as a list of OST Lines, each one of them including a single Frame composed by a variable number of PRI raw data echoes (number of PRI's will be the OST line duration). OST lines and PRI's will be preceded by a short header, as illustrated in Fig. 3.3.1.

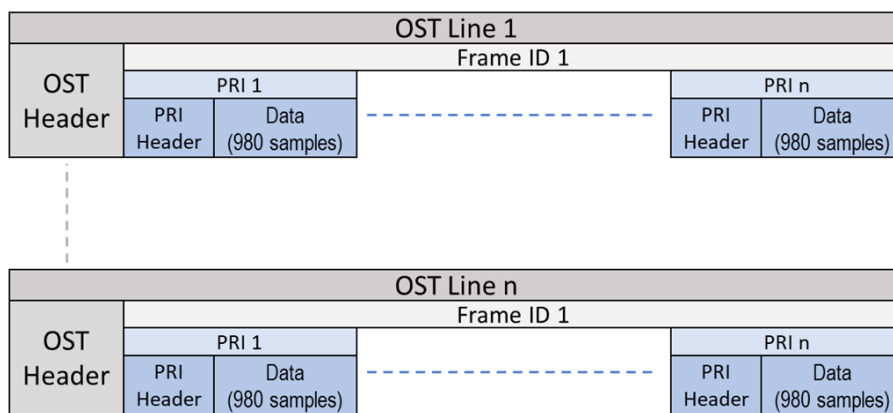


Fig. 3.3.1 SSP FM data format



Date 10/01/2023
Issue 1
Revision 0
Page 40 of 81

OST HEADER FORMAT

Field	Size (bit)	Format	Description
OST ID	4	Uint	OST Line number
Lost PRI counter	12	Uint	Number of PRI's that were not recorded
Written PRI counter	16	Uint	Number of PRI's with raw data fully recorded
AGC_DYN_PRIs_to_skip	16	Uint	PRI's to be ignored after Dynamic AGC has set a new AGC value
AGC_DYN_PRIs_size	16	Uint	Minimum number of consecutive PRI's with amplitude peak outside of desired range, to trigger an AGC change
Full OST Line	96	bitstream	The full OST line bitstream
SCET 1st PRI of OST Line	48	SCET	SCET sampled at the beginning of the OST line (1st PRI of OST line)
On-board computed PRF	32	Float	PRF measured on-board
TRIG_OFFSET_CH2	32	Float	Offset of the Second Channel Trigger
TO_DET_SSP_A	32	Float	Trigger offset A parameter
TO_DET_SSP_B	32	Float	Trigger offset B parameter
SSP_H_THR	32	Float	Altitude threshold parameter
AGC_DYN_MIN	8	Uint	0-255. Lower limit threshold for dynamic AGC
AGC_DYN_MAX	8	Uint	0-255. Higher limit threshold for dynamic AGC
AGC_MIN	8	Uint	Guaranteed Minimum value of AGC
AGC_MAX	8	Uint	Guaranteed Maximum value of AGC
Total HEADER size = 400 bits (50 bytes)			

Table 3.3.1 SSP OST Header

PRI HEADER FORMAT

Field	Size (bit)	Format	Description
RX Trigger	16	Uint	RX trigger expressed as number of 2.8MHz intervals
AGC	3	Enum	AGC attenuation, from 2 to 30dB at 4dB steps
PRI_Counter	13	Uint	PRI Counter, starting from 1
PRI_Number	16	Uint	PRI Number, starting from 1
PRI_RECEIVED_BYTE	16	Unint	$(\text{PRI raw echo bytes} + 4) / 2$, nominal value is 492
Total HEADER size = 64 bits (8 bytes)			

Table 3.3.2 SSP PRI Header



Date 10/01/2023
Issue 1
Revision 0
Page 41 of 81

The two parameters: PRI_Counter and PRI_Number apparently identical, have been inserted in order to identify eventually lost PRIs.

In case of not lost PRI, then: $PRI_Counter = PRI_Number$

In case of lost PRI, then: PRI_Number will assume the value of "0" and immediately after the PRI_Number there will be the PRI_HEADER of the subsequent echo.

DATA

Each echo is represented with 980 samples, each sample (Sample_Value) is coded with 8 bit (integer).

If $Sample_Value > 127 \rightarrow Sample_Value = Sample_Value - 256$



Date 10/01/2023
Issue 1
Revision 0
Page 42 of 81

The maximum duration of the SSP mode and therefore the maximum number of PRI that can be set in OST, is driven by the non-volatile memory (FM) size and given by the following equations:

$$N_PRI_MAX = \left\lfloor \frac{FM_{DV_MB} \cdot 1E6 - N_OST \cdot HEADER_OST}{HEADER_PRI + ECHO_SAMPLES} \right\rfloor = 17015 \text{ PRI} \quad (27)$$

$$DT_MAX_sec = \frac{N_PRI_MAX}{PRF} = 134 \text{ sec} \quad (28)$$

Where:

- | | | | |
|----------------|-----------|-------|--|
| - FM_DV_MB | = 16.7 | MB | Size of the internal instrument Flash Memory |
| - HEADER_OST | = 50 | Bytes | Size of the OST header |
| - HEADER_PRI | = 6 | Bytes | Size the PRI header |
| - ECHO_SAMPLES | = 980 | Bytes | 980 samples echo (1Byte/sample) |
| - PRF | = 127.267 | [Hz] | Radar Pulse Repletion Frequency |
| - N_OST | | | Number of commanded OST lines (typically 1 or 2) |



4 MARSIS, PLANNING & COMMANDING INTERFACES, REQUEST OF UPDATE

In order to operate the MARSIS radar, with SSM and SSP operative modes, introduced by the new on-board SW, it is necessary to update all the on-ground facilities, in particular: Planning chain and Commanding chain. Regarding the Data Handling facilities, there are not changes to implement. The next paragraphs describe the changes to be implemented.

4.1 PLANNING CHAIN

The new Operative Modes: SSM and SSP shall be handled by the MAPPS tool, in the same way of the existing Operative Modes SS (SS1, SS2, SS3, SS4, SS5). The only differences are in the Data Rate computation and Power consumption, as following highlighted:

Mode: SSM “Variable Data Rate Operative Mode”

Nominal Power: 64 [Watts]

MAPPS Data Rate Model:

The following statement shall be add to the MARSIS Data Rate Model

```

case DM_SSRA_SSM:
  opData = 24576.0; //[bit]
  break;

```

Mode: SSP “Constant Data Rate Operative Mode”

Nominal Power: 64 [Watts]

Data Rate Parameter: 300 [bit/sec] “Constant Data Rate”

Orbit Point	Rank	Instr	Activ	Start	End	Targ	Offdeg	Band	RDF
21758	NOP	3 SSRA	STBY	-10.00	-05.00				
21758	NOP	3 SSRA	PREO	-05.00	-03.00				
21758	NAD-P	3 SSRA	SSM	-03.00	00.00	---	0		3 1
21758	NAD-P	3 SSRA	SSP	00.00	03.00	---	0		4 1
21758	NOP	3 SSRA	POST	03.00	05.00				

Fig. 4.1.1 Example of MIRA timeline with the new OPMs: SSP and SSM



Date 10/01/2023
Issue 1
Revision 0
Page 44 of 81

4.2 *COMMANDING CHAIN*

The only field, that shall be updated in the ESOC Data Base, to manage the two new Operative Modes: SSM and SSP is: “**Mode and DCG Selection**”. The following tables show the new configuration of this field, in the MARSIS Commands and Sequences files:



Date 10/01/2023
 Issue 1
 Revision 0
 Page 45 of 81

MARSIS Commands

EDF sections generated from MDB data \$Log: marsis_cmds.edf,v \$ Revision 1.121 2021/01/05 15:54:39 msgs_ops L412 MDB_version: 20201204 "MEX_REL_L412"					
ESA Configuration Fields			MARSIS Fields		
Parameter To be Updated	Extra Parameter Values to be added to the existing ones		OPMb	BTX1b	BTX2b
FMIX0101 "R1[34-41] Mode&DCG Sel."					
FMIX0111 "R10[34-41] Mode&DCG Sel."					
FMIX0121 "R11[34-41] Mode&DCG Sel."					
FMIX0131 "R12[34-41] Mode&DCG Sel."					
FMIX0141 "R13[34-41] Mode&DCG Sel."					
FMIX0151 "R14[34-41] Mode&DCG Sel."					
FMIX0161 "R15[34-41] Mode&DCG Sel."					
FMIX0171 "R16[34-41] Mode&DCG Sel."					
FMIX0201 "R2[34-41] Mode&DCG Sel."					
FMIX0301 "R3[34-41] Mode&DCG Sel."					
FMIX0401 "R4[34-41] Mode&DCG Sel."					
FMIX0501 "R5[34-41] Mode&DCG Sel."					
FMIX0601 "R6[34-41] Mode&DCG Sel."	224	SSM - Band 1	1110	00	00
FMIX0701 "R7[34-41] Mode&DCG Sel."	228	SSM - Band 2	1110	01	00
FMIX0801 "R8[34-41] Mode&DCG Sel."	232	SSM - Band 3	1110	10	00
FMIX0901 "R9[34-41] Mode&DCG Sel."	236	SSM - Band 4	1110	11	00
FMIX1101 "R1[34-41] Mode&DCG Sel."	208(*)	SSP - Band 1	1101	00	00
FMIX2101 "R1[34-41] Mode&DCG Sel."	212	SSP - Band 2	1101	01	00
FMIX2201 "R2[34-41] Mode&DCG Sel."	216	SSP - Band 3	1101	10	00
FMIX4101 "R1[34-41] Mode&DCG Sel."	220	SSP - Band 4	1101	11	00
FMIX4201 "R2[34-41] Mode&DCG Sel."					
FMIX4301 "R3[34-41] Mode&DCG Sel."					
FMIX4401 "R4[34-41] Mode&DCG Sel."					
FMIX8101 "R1[34-41] Mode&DCG Sel."					
FMIX8201 "R2[34-41] Mode&DCG Sel."					
FMIX8301 "R3[34-41] Mode&DCG Sel."					
FMIX8401 "R4[34-41] Mode&DCG Sel."					
FMIX8501 "R5[34-41] Mode&DCG Sel."					
FMIX8601 "R6[34-41] Mode&DCG Sel."					
FMIX8701 "R7[34-41] Mode&DCG Sel."					
FMIX8801 "R8[34-41] Mode&DCG Sel."					

Table 4.2.1 MARSIS Extra Parameter Values, to be added to the Command file

(*)The value 208 actually present in the ESOC DB, shall be replaced with the new configuration, shown in the table above



MARSIS Sequences

EDF sections generated from MDB data \$Log: marsis_seqs.edf,v \$ Revision 1.121 2021/01/05 15:54:39 msgs_ops L412					
ESA Configuration Fields			MARSIS Fields		
Parameter To be Updated	Parameter Action	Extra Parameter Values to be added to the existing ones	OPMb	BTX1b	BTX2b
VMIX0101 "R1[34-41] Mode&DCG Sel."	AMIF14A0				
VMIX0111 "R10[34-41] Mode&DCG Sel."	AMIF14A0				
VMIX0121 "R11[34-41] Mode&DCG Sel."	AMIF14A0				
VMIX0131 "R12[34-41] Mode&DCG Sel."	AMIF14A0				
VMIX0141 "R13[34-41] Mode&DCG Sel."	AMIF14A0				
VMIX0151 "R14[34-41] Mode&DCG Sel."	AMIF14A0				
VMIX0161 "R15[34-41] Mode&DCG Sel."	AMIF14A0				
VMIX0171 "R16[34-41] Mode&DCG Sel."	AMIF14A0				
VMIX0201 "R2[34-41] Mode&DCG Sel."	AMIF14A0				
VMIX0301 "R3[34-41] Mode&DCG Sel."	AMIF14A0				
VMIX0401 "R4[34-41] Mode&DCG Sel."	AMIF14A0				
VMIX0501 "R5[34-41] Mode&DCG Sel."	AMIF14A0				
VMIX0601 "R6[34-41] Mode&DCG Sel."	AMIF14A0	224 SSM - Band 1	1110	00	00
VMIX0701 "R7[34-41] Mode&DCG Sel."	AMIF14A0	228 SSM - Band 2	1110	01	00
VMIX0801 "R8[34-41] Mode&DCG Sel."	AMIF14A0	232 SSM - Band 3	1110	10	00
VMIX0901 "R9[34-41] Mode&DCG Sel."	AMIF14A0	236 SSM - Band 4	1110	11	00
VMIX1101 "R1[34-41] Mode&DCG Sel."	AMIF10A0	208(*) SSP - Band 1	1101	00	00
VMIX2101 "R1[34-41] Mode&DCG Sel."	AMIF11A0	212 SSP - Band 2	1101	01	00
VMIX2201 "R2[34-41] Mode&DCG Sel."	AMIF11A0	216 SSP - Band 3	1101	10	00
VMIX4101 "R4[34-41] Mode&DCG Sel."	AMIF12A0	220 SSP - Band 4	1101	11	00
VMIX4201 "R2[34-41] Mode&DCG Sel."	AMIF12A0				
VMIX4301 "R3[34-41] Mode&DCG Sel."	AMIF12A0				
VMIX4401 "R4[34-41] Mode&DCG Sel."	AMIF12A0				
VMIX8101 "R1[34-41] Mode&DCG Sel."	AMIF13A0				
VMIX8201 "R2[34-41] Mode&DCG Sel."	AMIF13A0				
VMIX8301 "R3[34-41] Mode&DCG Sel."	AMIF13A0				
VMIX8401 "R4[34-41] Mode&DCG Sel."	AMIF13A0				
VMIX8501 "R5[34-41] Mode&DCG Sel."	AMIF13A0				
VMIX8601 "R6[34-41] Mode&DCG Sel."	AMIF13A0				
VMIX8701 "R7[34-41] Mode&DCG Sel."	AMIF13A0				
VMIX8801 "R8[34-41] Mode&DCG Sel."	AMIF13A0				

Table 4.2.2 MARSIS Extra Parameter Values, to be added to the Command file

(*)The value 208 actually present in the ESOC DB, shall be replaced with the new configuration, shown in the table above



Date 10/01/2023
Issue 1
Revision 0
Page 47 of 81

The following Figure 4.2.1, shows an example of a POR file section, where the two new Operative Modes: SSM and SSP, have been inserted.

```
C -----  
C MARSIS Load Operations Sequence Table (OST) with 2 Rows  
C -----  
  
H1AMIF11A0 S  
H2I UTC      T P 017  
H3  
H4  
H5  
S1          MPER 0000021758 -00:09:00  
S221-154T10:39:05Z      -iaps-  
PVMIX2003 R      D 0  
PVMIX2100 R      H 597b  
PVMIX2101 E      SSM - Band 3  
PVMIX2102 E      PIS1B3PIS2B3  
PVMIX2103 R      H 101  
PVMIX2104 E      TX PWR MAX  
PVMIX2105 R      D 0  
PVMIX2106 E      NoFMStore  
PVMIX2107 R      H 0  
PVMIX2200 R      H 597b  
PVMIX2201 E      SSP - Band 4  
PVMIX2202 E      PIS1B4PIS2B4  
PVMIX2203 R      H 3b  
PVMIX2204 E      TX PWR MAX  
PVMIX2205 R      D 0  
PVMIX2206 E      NoFMStore  
PVMIX2207 R      H 0
```

Fig. 4.2.1 Example of POR file with the two new OPMs: SSP and SSM



5 ANNEXES

5.1 ANNEX 1: ON-BOARD SCIENCE DATA BITS ENCODING

This section reports the analysis performed on the dynamics of the raw data, collected so far with the MARSIS internal Flash Memory (FM).

This study allowed the definition of the correct number of bits to properly encode the echo's samples, for each of the two components (Imaginary and Real) after the on-board Range Compression (RC).

An undersizing of the number of bits, could cause irreversible saturation phenomena on the signals, that will be stored into the internal Flash Memory (FM) and then transmitted to the ground.

This statistical analysis, was performed on a congruous number of FM raw data, about 4000 flybys; the results of which are shown from Fig.5.1.1 to Fig. 5.1.4. The following Table 5.1.1, shows the overall conclusion.

PRESUMING FACTOR	8 BIT ENCODE	9 BIT ENCODE	10 BIT ENCODE	11 BIT ENCODE	RECOMENDATION
2	94% of cases	100% of cases	100% of cases	100% of cases	9 bit Samples Encoding
3	82% of cases	99% of cases	100% of cases	100% of cases	
4	75% of cases	96% of cases	100% of cases	100% of cases	10 bit Sample Encoding
5	72% of cases	92% of cases	100% of cases	100% of cases	
6	70% of cases	89% of cases	99% of cases	100% of cases	11 bit Sample Encoding
7	69% of cases	88% of cases	98% of cases	100% of cases	

Table 5.1.1 Samples Encoding factor overview

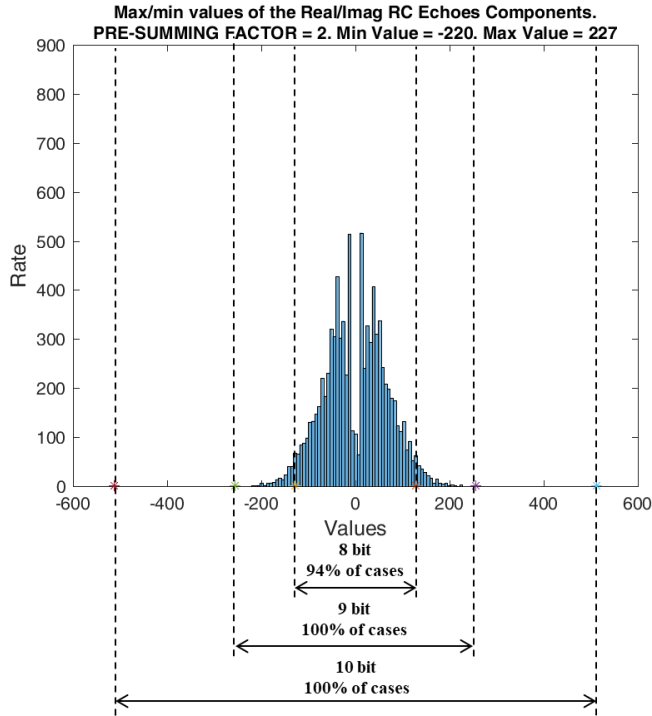


Fig. 5.1.1 Max/min values distribution (PF = 2)

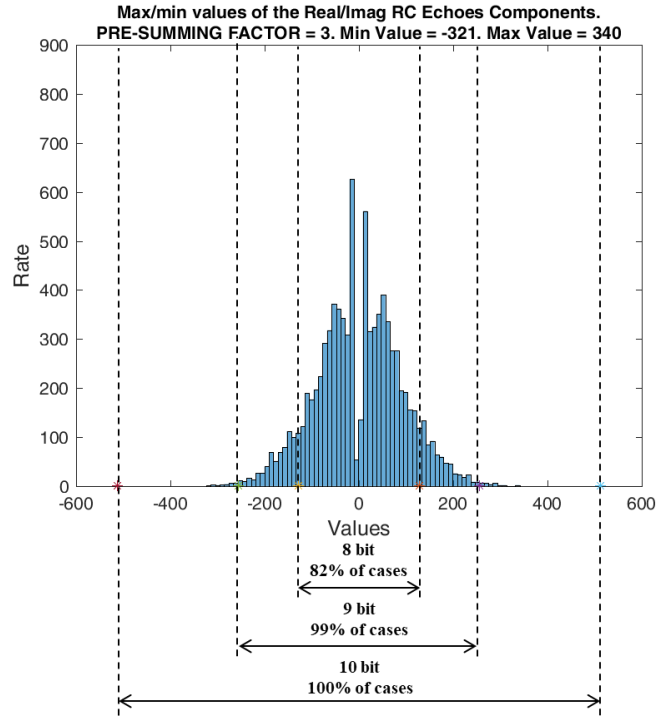


Fig. 5.1.2 Max/min values distribution (PF = 3)

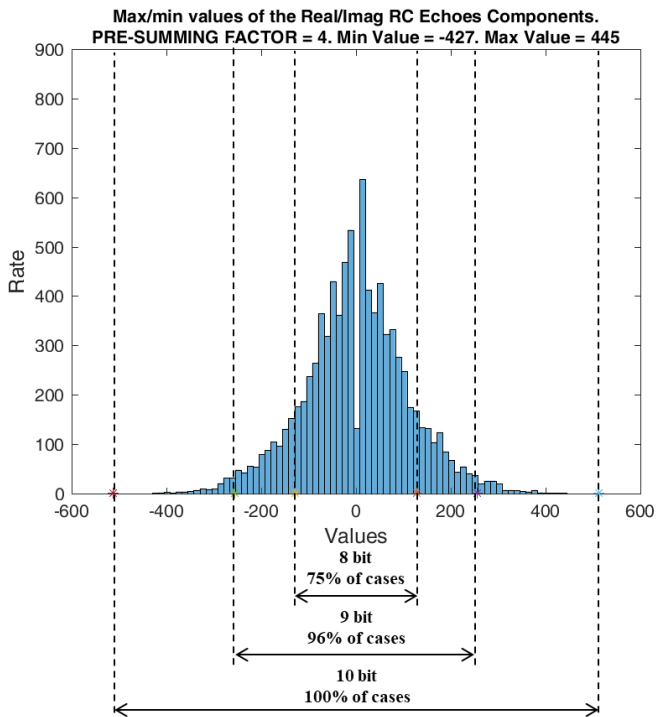


Fig. 5.1.3 Max/min values distribution (PF = 4)

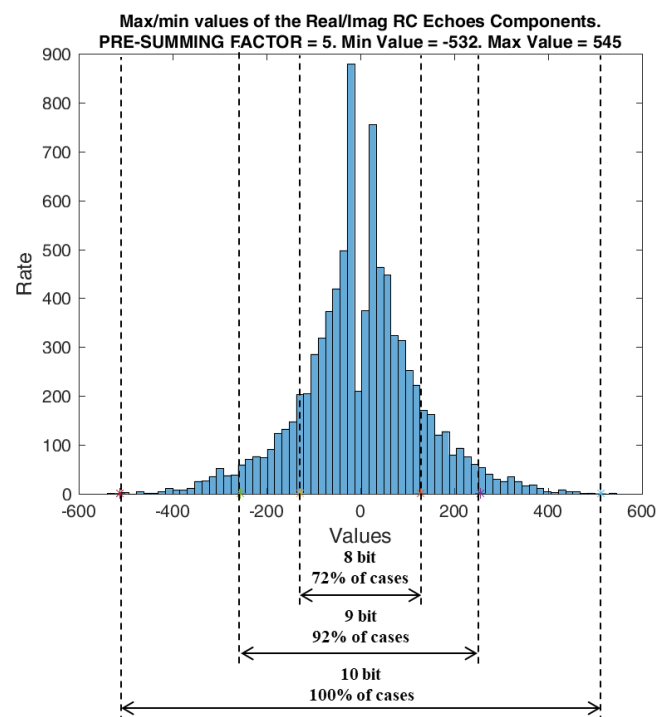


Fig. 5.1.4 Max/min values distribution (PF = 5)



5.2 ANNEX 2: DEMODULATOR (I/Q SYNTHESIS)

The I/Q synthesis shall be based on the direct quadrature synthesis method shown in figure 2.1.1 starting from the real data stream available at the A/D converter (980 samples) output for each received echo. All collected echoes by both channels (yellow bars of Fig. 2.1) will be demodulated, with the following procedure:

This process is also described in [RD-01] but with the right values of the FIR filter coefficients, reported in table 2.1.1.

$$V(t) = I(t) + jQ(t) \tag{29}$$

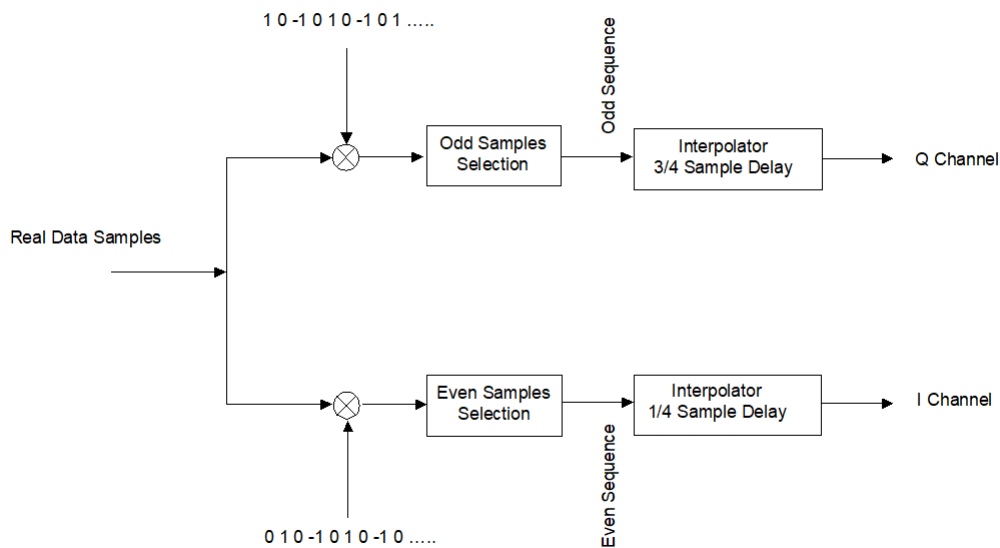


Fig. 5.2.1 I/Q Synthesis

Odd Samples Synthesis

The real data stream of each received echo shall be multiplied by the basic pattern [1 0 -1 0] and odd samples selected to generate the “odd sequence”.

Even Samples Synthesis

The real data stream of each received echo shall be multiplied by the basic pattern [0 1 0 -1] and even samples selected to generate the “even sequence”.



Q Syntheses

The “odd sequence” shall be filtered by a ¼ sample interpolator. The interpolator is implemented as a 8 taps FIR filter whose weighting coefficients are reported in the second column of table 2.1.1. The FIR filter structure is shown in figure 2.1.2

I Synthesis

The “even sequence” shall be filtered by a ¾ sample interpolator. The interpolator is implemented as a 8 taps FIR filter whose weighting coefficients are extracted form P.T. and the default values are reported in the third column of table 2.1.1. The FIR filter structure is shown in figure 2.1.2

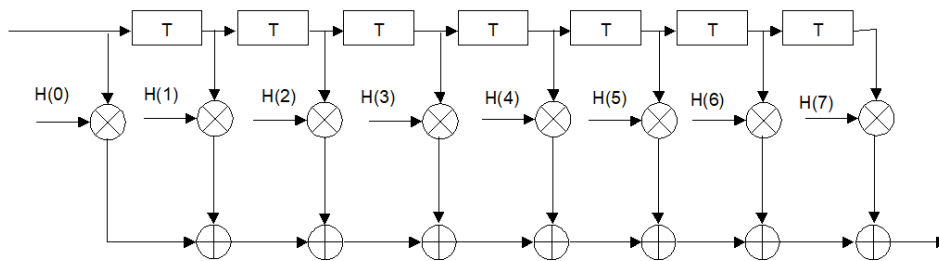


Fig. 5.2.2 FIR filter

	¾ Interpolator	¼ Interpolator
H(0)	-0.005660847	-0.015062067
H(1)	0.030040974	0.053058197
H(2)	-0.088921657	-0.149882026
H(3)	0.281224221	0.893889519
H(4)	0.893889519	0.281224221
H(5)	-0.149882026	-0.088921657
H(6)	0.053058197	0.030040974
H(7)	-0.015062067	-0.005660847

Table 5.2.1 FIR filter coefficients

The generic demodulated echo, will be represented in the time and frequency domains with the following equations:

$$V(t) = I(t) + jQ(t) \tag{30}$$

$$V(f) = fftshift(fft(V(t))) \tag{31}$$



Date 10/01/2023
Issue 1
Revision 0
Page 52 of 81

5.2.1 ON-BOARD FUNCTION DEMODULATOR

```
function [I_ob,Q_ob] = MI_FUN_CERTIF_OnBoard_Demod_IQ_01(V)

% V(1,980) Input Signal

n=size(V,2); % Signal's samples

TAPS=8;
fir_I=[-0.005660847 0.030040974 -0.088921657 0.281224221 0.893889519 -0.149882026
0.053058197 -0.015062067];

fir_Q=[-0.015062067 0.053058197 -0.149882026 0.893889519 0.281224221 -0.088921657
0.030040974 -0.005660847];

Delay_I = zeros(1,TAPS); Delay_Q = zeros(1,TAPS);
I_chan = zeros(1,512); Q_chan = zeros(1,512);

j=1; qc=1; ic=1;

for i = 1:(n/4)
    Q_chan(qc) = V(j)*1.0; qc=qc+1;j=j+1;
    I_chan(ic) = V(j)*1.0; ic=ic+1;j=j+1;
    Q_chan(qc) = V(j)*-1.0; qc=qc+1;j=j+1;
    I_chan(ic) = V(j)*-1.0; ic=ic+1;j=j+1;
end

qc=1; ic=1; di=1; dq=1; fq=1; fi=1;

for i = 1:(n/2)
    f13 = 0;
    f0 = Q_chan(qc);
    qc=qc+1;
    f1 = I_chan(ic);
    ic=ic+1;

    f12 = 0;
    Delay_Q(dq) = f0;
    Delay_I(di) = f1;

    f8 = 0;
    f0 = Delay_Q(dq);
    dq=dq+1;
    f4 = single(fir_Q(fq));
    fq=fq+1;

    f9 = 0;
    f5 = single(fir_I(fi));
    fi=fi+1;
    f1 = Delay_I(di);
    di=di+1;
```



Date 10/01/2023
Issue 1
Revision 0
Page 53 of 81

```
for x = 1:(TAPS-1)
    f13 = f1 * f5;
    f9 = f9 + f13;
    f5 = single(fir_I(fi));
    fi=fi+1;
    f1 = Delay_I(di);
    di=di+1;
    f12 = f0 * f4;
    f8 = f8 + f12;
    f0 = Delay_Q(dq);
    dq=dq+1;
    f4 = single(fir_Q(fq));
    fq=fq+1;
end
```

```
f12 = f0 * f4;
f8 = f8 + f12;
f8 = f8 + f12;
f13 = f1 * f5;
f9 = f9 + f13;
f9 = f9 + f13;
Q_chan(qc-1) = f8;
I_chan(ic-1) = f9;
```

```
Delay_Q(8) = Delay_Q(7);
Delay_I(8) = Delay_I(7);
```

```
Delay_Q(7) = Delay_Q(6);
Delay_I(7) = Delay_I(6);
```

```
Delay_Q(6) = Delay_Q(5);
Delay_I(6) = Delay_I(5);
```

```
Delay_Q(5) = Delay_Q(4);
Delay_I(5) = Delay_I(4);
```

```
Delay_Q(4) = Delay_Q(3);
Delay_I(4) = Delay_I(3);
```

```
Delay_Q(3) = Delay_Q(2);
Delay_I(3) = Delay_I(2);
```

```
Delay_Q(2) = Delay_Q(1);
Delay_I(2) = Delay_I(1);
```

```
di=1; dq=1; fq=1; fi=1;
```

```
end
```

```
Q_ob = single(Q_chan);
I_ob = single(I_chan);
```



5.3 ANNEX 3: RECEIVING WINDOW RESIZE TECHNIQUE

A more detailed diagram of the signal window resize function is shown in fig. 5.3.1.

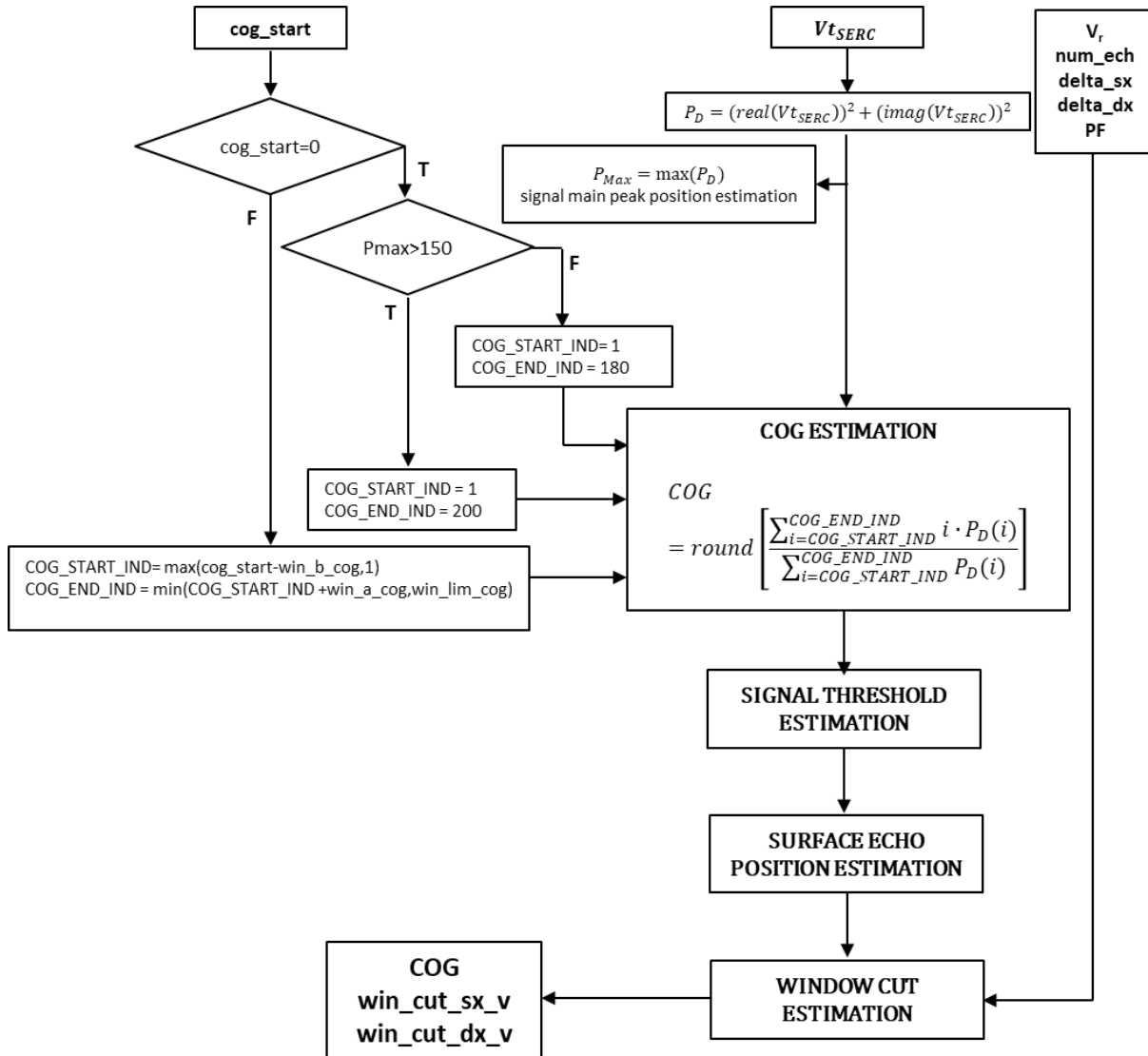
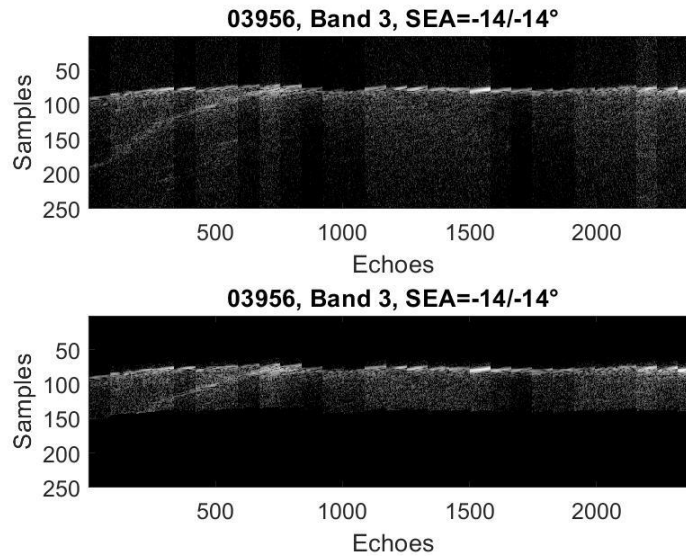


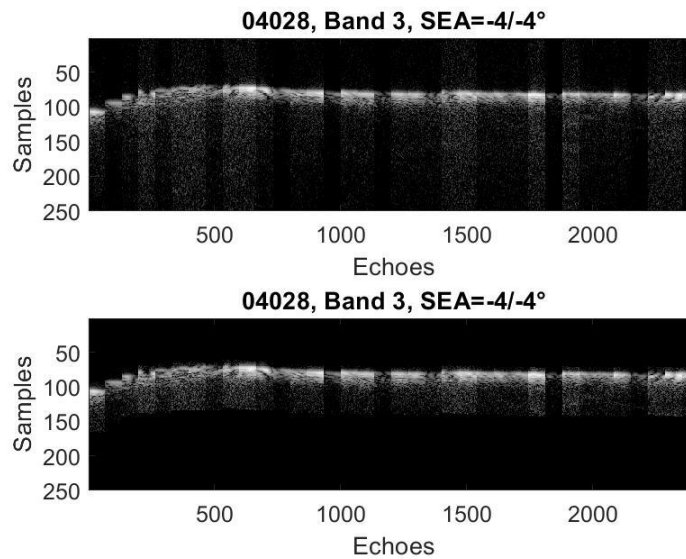
Fig. 5.3.1 Signal window resize diagram



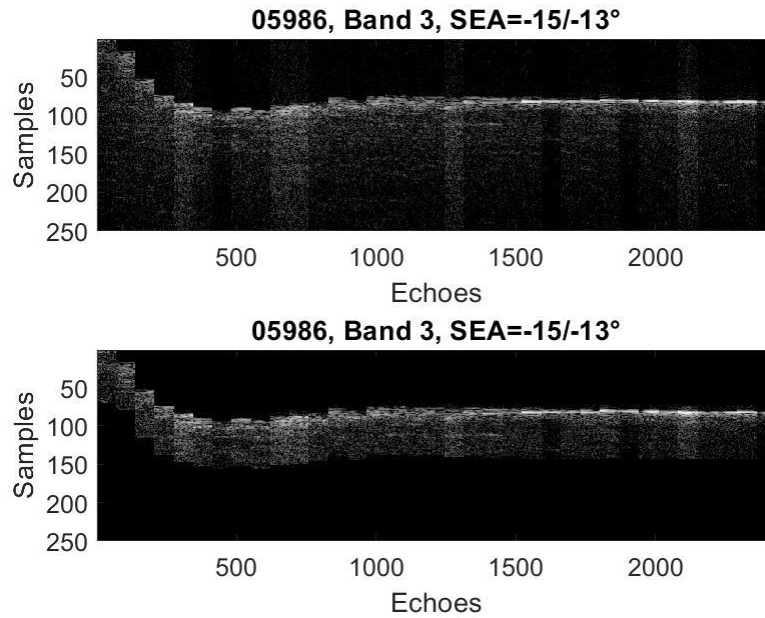
In the following figures are represented some results obtained applying the window resize algorithm. The upper radargram shows the original echoes after range compression and the lower part of the figures shows the same radargram after Window Resize. In the last cases the samples selected by the algorithm are untouched, while the others are set to zero and appear black. During these test was applied a resized window of 70 samples, distributed as follows: 8 samples before the surface echo edge and 62 samples after.



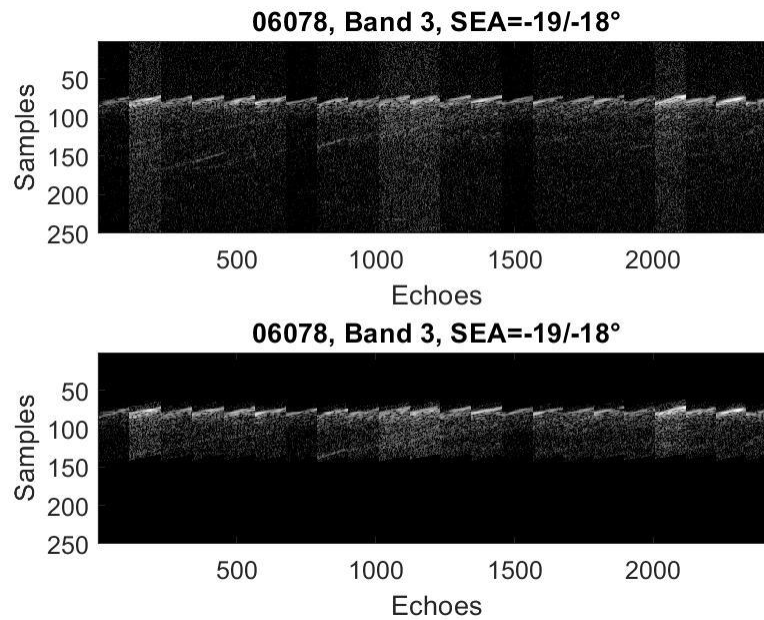
**Fig. 5.3.2 Orbit 3965 Raw Echoes from FM
“Resize Window Test Results”**



**Fig. 5.3.3 Orbit 4028 Raw Echoes from FM
“Resize Window Test Results”**



**Fig. 5.3.4 Orbit 5986 Raw Echoes from FM
“Resize Window Test Results”**



**Fig. 5.3.4 Orbit 5986 Raw Echoes from FM
“Resize Window Test Results”**



Date 10/01/2023
Issue 1
Revision 0
Page 57 of 81

```
function [win_cut_sx_v,win_cut_dx_v,COG] =  
Fun_Test_COG_v05(signal,delta_sx,delta_dx,cog_start,Vr,num_ech,PF)  
  
% ----- Descrizione -----  
  
% Funzione per individuare, in modo approssimato il fronte di salita del segnale.  
% La funzione esegue prima un Loop di COG, per stimare il baricentro del segnale.  
% Successivamente, usa i valori del COG per delimitare un intervallo in cui stima  
% il valore medio del segnale. Tale valore è usato come soglia per individuare,  
% approssimativamente, il fronte di salita del segnale. In pratica, viene  
% considerato come fronte di salita del segnale, il primo campione che supera la  
% soglia.  
  
%% INPUT  
% Vettore Segnale in tempo complesso: signal(512,1)  
% Numero di campioni da tagliare a sinistra del fronte di salita: delta_sx  
% Numero di campioni da tagliare a destra del fronte di salita: delta_dx  
% COG stimato nel loop precedente (zero per il primo loop di una OST): cog_start  
% Velocità radiale del primo eco, degli N componenti il segnale: Vr  
% Numero di echi integrati nel segnale di ingresso: num_ech  
% Fattore di pre-summing applicato ai dati da inviare alle FM: PF  
  
%% OUTPUT  
% Vettore che individua l'estremo di sinistra della finestra di taglio:  
win_cut_sx_v(1,num_ech/PF)  
% Vettore che individua l'estremo di destra della finestra di taglio:  
win_cut_dx_v(1,num_ech/PF)  
% Campione che individua il baricentro del segnale in input: COG  
  
%% PARAMETRI  
winbcog = 60; % delta da sottrarre al valore di COG  
per stimare COG_START_IND dal 2nd Loop  
winacog = 130; % delta da aggiungere al valore di COG  
per stimare COG_END_IND dal 2nd Loop  
winlimcog = 130; % campione limite per stimare il COG  
dal 2nd Loop  
winbfss = 60; % delta da sottrarre al valore di COG  
per calcolare l'inizio dell'intervallo in cui si stima la soglia per individuare il  
fronte di salita del segnale  
winafss = 60; % delta da aggiungere al valore di  
start_rxl per calcolare la fine dell'intervallo in cui si stima la soglia per  
individuare il fronte di salita del segnale  
wintot = delta_sx+delta_dx; % dimensione totale della finestra di  
taglio  
fs = 1.4e6; % Sampling frequency of the reference  
functions  
c = 3e8;  
PRF = 127.27;  
PRI = 1/PRF;
```



Date 10/01/2023
Issue 1
Revision 0
Page 58 of 81

```
.  
%% INIZIALIZZAZIONE VARIABILI  
dim = size(signal);  
%% INIZIALIZZAZIONE VETTORE RIFERIMENTO FINASTRA DI TAGLIO CON FATTORE DI PRE-  
SUMMING  
vetnumec = 1:PF:num_ech;  
delta = round(((2*Vr*PRI*vetnumec)/c)*fs);  
%% STIMA POTENZA DEL SEGNALE  
PD = real(signal).^2+imag(signal).^2;  
  
%% COG LOOP  
% Questo loop serve per individuare, approssimativamente, il  
% baricentro del segnale.  
% Nel primo loop il COG è calcolato in un intervallo fisso 1-180.  
% Tranne nel caso in cui il massimo del segnale sia oltre il campione 150.  
% In questo caso, l'intervallo è 1-200.  
% Dal secondo loop, il COG viene stimato in un intervallo ridotto, a cavallo  
% del baricentro stimato nel loop precedente, della dimensione di 130  
% campioni.  
  
if cog_start==0  
    COG_START_IND = 1; % campione start 1st Loop COG  
    [~,P] = max(PD); % Check sulla posizione del massimo del primo eco  
(introdotta nella versione 02)  
    if P(1,1)>150  
        COG_END_IND = 200; % campione end 1st Loop COG  
    else  
        COG_END_IND = 180; % campione end 1st Loop COG  
    end  
else  
    COG_START_IND = max(cog_start-winbcog,1); % campione start per gli  
altri Loop COG  
    COG_END_IND = min(COG_START_IND+winacog,winlimcog); % campione end per  
gli altri Loop COG  
End  
  
%%  
temp = 0;  
temp1 = 0;  
for i = COG_START_IND:COG_END_IND  
    num1 = (i*(PD(i,1)));  
    temp = temp+num1;  
    temp1 = temp1+PD(i,1);  
end  
COG = round((temp/temp1));  
  
%% Front Surface Sample  
% Questo loop serve per individuare, approssimativamente, il fronte di  
% salita del segnale  
% A partire dai valori stimati dal COG, si considera un intervallo di 60  
% campioni a cavallo del baricentro, attualmente -50/+10.
```



Date 10/01/2023
Issue 1
Revision 0
Page 59 of 81

```
.  
% Si stima il valore medio di questi 60 campioni che, molto probabilmente,  
% racchiudono la maggior parte dell'energia del segnale.  
% Il valore medio viene considerato come una soglia per discriminare il  
% segnale utile dal rumore.  
% In pratica, il primo campione che supera tale soglia, viene considerato  
% come indicativo del fronte di salita del lobo principale del segnale.
```

```
buffer = PD;  
start_rx1 = max(COG-winbfss,1);  
stop_rx1 = start_rx1+winafss;  
buffer1 = buffer(start_rx1:stop_rx1,1);  
thresh = mean(buffer1);  
pos1 = find(buffer1>thresh);  
pos2 = pos1(1,1)+start_rx1;  
wincutsx = max(pos2-delta_sx,1);  
%%  
wincutdx = wincutsx+wintot-1;  
if wincutdx>=dim(1,1)  
    wincutsx = dim(1,1)-wintot+1;  
    wincutdx = dim(1,1);  
end
```

```
%% RIMOZIONE DELLA COMPENSAZIONE DI FASE DALLA FINESTRA DI TAGLIO  
win_cut_sx_v = wincutsx+delta;  
win_cut_dx_v = wincutdx+delta;  
x+delta;
```



Date **10/01/2023**
Issue **1**
Revision **0**
Page **60 of 81**

5.4 ANNEX 4: ON-BOARD REFERENCE FUNCTIONS

```
function [ Ref_Fun_Real_Comp, Ref_Fun_Imag_Comp ] = OnBoardRefFunGenerator(BND)

% Description: Ideal Chirp generator to be used for the MARSIS on-board compression
%
% Input: BND = Transmitted band (1,2,3,4)
%
% Output
%   Ref_Fun_real_comp: [512x1] Real component of the ideal_chirp
%   Ref_Fun_imag_comp: [512x1] Imaginary component of the ideal_chirp
%
% Parameters
%   B   : Radar Band (1MHz)
%   fs  : Equivalent sampling rate of the I/Q data stream (1.4MHz)
%   Ns  : Number of samples (512)
%   tau : Tx Pulse length (250us)

% ----- PARAMETER DEFINITION -----
B   = 1e6;
fs  = 1.4e6;
Ns  = 512;
tau = 250e-6;
% ----- SIGNAL TIMING DEFINITION -----
dt = 1 / fs;

t = dt * ( ( 1 : Ns ) - 1 );
% ----- REFERENCE FUNCTION DEFINITION -----
chirp          = exp( pi .* li .* B ./ tau * ( t - tau/2 ).^2 );

chirp( t > tau ) = 0;

ideal_chirp    = conj( transpose( fft( chirp ) ) );

ideal_chirp    = ideal_chirp ./ sqrt( sum( abs( ideal_chirp ).^2 ) );

ideal_chirp    = fftshift(ideal_chirp);

If BND == 1

    ideal_chirp = conj(ideal_chirp(end:-1:1,1));

end

Ref_Fun_Real_Comp = real(ideal_chirp);

Ref_Fun_Imag_Comp = imag(ideal_chirp);
```

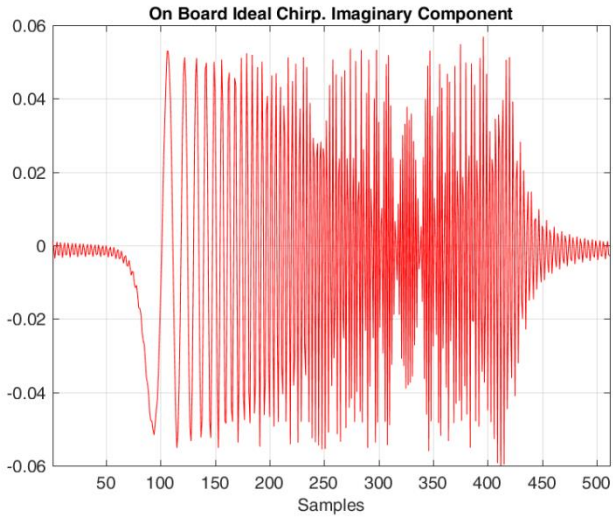


Fig. 5.4.1 On-Board Ideal Chirp (Imaginary Component)

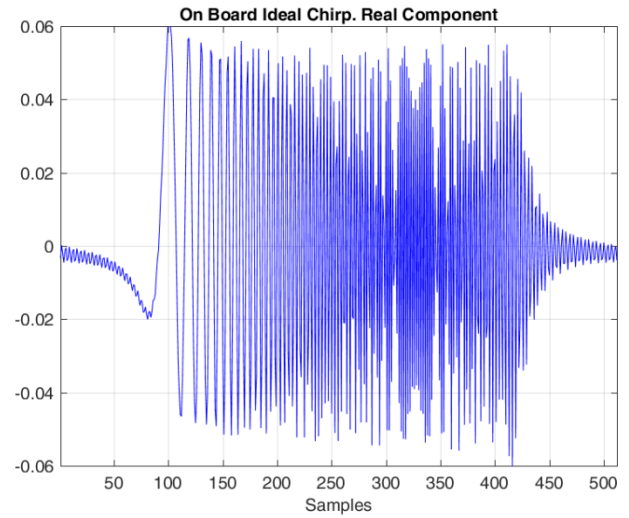


Fig. 5.4.2 On-Board Ideal Chirp (Real Component)

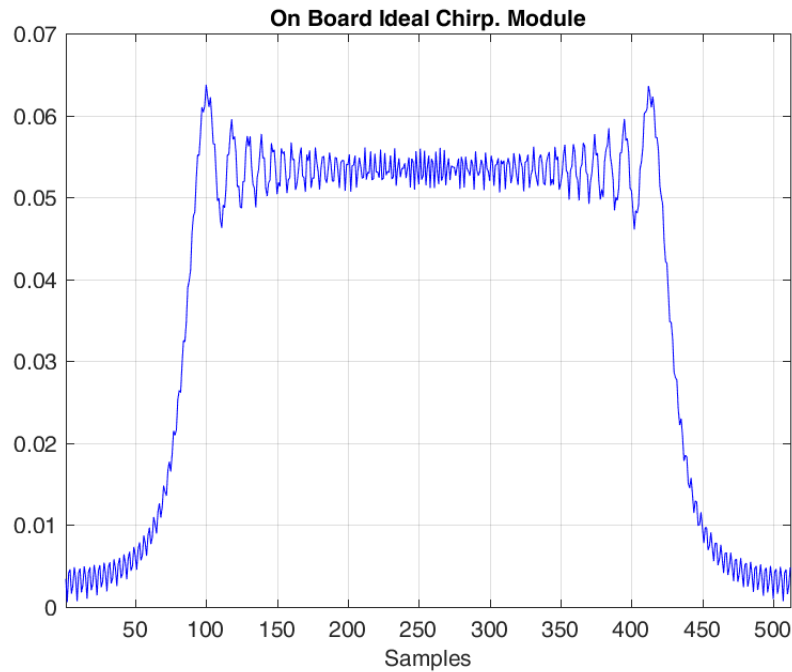


Fig. 5.4.3 On-Board Ideal Chirp (Module)



5.4.1 ON-BOARD REFERENCE FUNCTION COEFFICIENTS FOR BANDS: B2, B3 AND B4

Reference Function Real Component	32 bit float (HEX)	Reference Function Imaginary Component	32 bit float (HEX)
-0.00489436894096521770	0xBBA060F1	-0.00244200885189165130	0xBB200A1C
-0.00262435291562209460	0xBB2BFD55	0.00147403056770454750	0x3AC13442
-0.00003023729789808469	0xB7FDA61A	-0.00216466693143469370	0xBB0DDD15
-0.00440365020672655190	0xBB904C7E	-0.00311435518390244800	0xBB4C1A35
-0.00359206387159877140	0xBB6B68D4	0.00118067503407080190	0x3A9AC0E1
-0.00008109424879259408	0xB8AA1124	-0.00129233220997643880	0xBAA96379
-0.00376780577245703140	0xBB76ED4A	-0.00353729237907209410	0xBB67D1EB
-0.00440533981874041780	0xBB905AAB	0.00064629818496069076	0x3A296C56
-0.00042535354587646605	0xB9DF01FC	-0.00047466509653947383	0xB9F8DC78
-0.00307905904916605300	0xBB49CA09	-0.00368449230747163080	0xBB717785
-0.00500525038242014690	0xBBA40315	-0.00005780370793273049	0xB8727242
-0.00102393529919905970	0xBA863591	0.00020480186752279951	0x3956C015
-0.00243059437961607850	0xBB1F4A9B	-0.00355974481449883260	0xBB694A9B
-0.00536005454597082360	0xBBAFA365	-0.00084771777369892914	0xBA5E3960
-0.00181575874349304950	0xBAEDFEC0	0.00068171507408799372	0x3A32B51F
-0.00190741453663713540	0xBABA0236	-0.00319486167264537320	0xBB5160E2
-0.00546705134322509390	0xBBBB324F3	-0.00163613886465773590	0xBAD673B5
-0.00272542920830484360	0xBB329D1D	0.00091618406316255202	0x3A702C12
-0.00157853660900103490	0xBACEE6E6	-0.00264495463334651210	0xBB2D56F9
-0.00535152510259262300	0xBBAF5BD8	-0.00234147334392315140	0xBB197367
-0.00367200606646092290	0xBB70A609	0.00089534364877147539	0x3A6AB57E
-0.00149124063289468200	0xBAC375BB	-0.00198167702881884250	0xBB01DF06
-0.00506303574739457900	0xBBA5E7D2	-0.00289594935237795550	0xBB3DC9F7
-0.00457796171927770100	0xBB9602B9	0.00063305281300373155	0x3A25F374
-0.00166786289130457330	0xBADA9C31	-0.00128519823995148310	0xBAA87418
-0.00466955847018796570	0xBB990318	-0.00325199667448227780	0xBB551F73
-0.00537746294847804130	0xBBBB0356D	0.00016686732356031896	0x392EF91B
-0.00210536434916441980	0xBB09FA27	-0.00063578226471910405	0xBA26AAA0
-0.00425017506195825200	0xBB8B450D	-0.00338636596491700710	0xBB5DEDCB
-0.00602321299664487510	0xBBC55E5F	-0.00044732520244834286	0xB9EA86F8
-0.00277763115187557850	0xBB3608EA	-0.00010585957486870768	0xB8DE00ED
-0.00388714384353505560	0xBB7EBF73	-0.00330171414073178030	0xBB586192
-0.00649127289048855890	0xBBD4B4BE	-0.00114241990547112080	0xBA95BD40
-0.00364020576921791040	0xBB6E9084	0.00024658109828053194	0x3981478E
-0.00365821639820931980	0xBB6FBEAF	-0.00302566693497428960	0xBB464A44
-0.00678351387828494530	0xBBDE483D	-0.00184824656504436160	0xBAF240DD
-0.00463692872647112910	0xBB97F160	0.00038258432847389733	0x39C89599
-0.00363002460701224720	0xBB6DE5B4	-0.00260765777244865130	0xBB2AE53C
-0.00692761356298510300	0xBBE30108	-0.00250001319679060960	0xBB23D742
-0.00570781029901190960	0xBBBB0895	0.00028428107161742656	0x39950B8F
-0.00385323463867482190	0xBB7C868C	-0.00211411472716877250	0xBB0A8CF5
-0.00697476551629100120	0xBBE48C92	-0.00304636527051630690	0xBB47A587
-0.00679735733312269480	0xBBDEBC5D	-0.00004592962733608523	0xB840A48F
-0.00435996223011012910	0xBB8EDE03	-0.00162281204946453200	0xBAD4B489
-0.00699548937476807040	0xBBE53A6B	-0.00345656325531414150	0xBB628782
-0.00786254525284381040	0xBC00D1E7	-0.00058923817474685952	0xBA1A771A

-0.00516366851807407120	0xBBA933FD	-0.00121741742243231060	0xBA9F91C0
-0.00707405950667756250	0xBBE7CD83	-0.00372657247738308020	0xBB743982
-0.00887961783034075730	0xBC117BD1	-0.00131739033045263690	0xBAACAC48
-0.00626139416975946080	0xBBCD2C61	-0.00098345882102737064	0xBA80E766
-0.00730204911956849540	0xBBEF4607	-0.00388426110162791520	0xBB7E8F16
-0.00984884667961802990	0xBC215D0E	-0.00220283684152675070	0xBB105D78
-0.00763769050699527730	0xBBFA4597	-0.00100711619841217730	0xBA840136
-0.00777120655291156470	0xBBFEA59A	-0.00399439623922258430	0xBB82E36C
-0.01079615398177362900	0xBC30E25A	-0.00323226682348661580	0xBB53D470
-0.00926884903967494130	0xBC17DC5E	-0.00137839795676486930	0xBAB4AB5C
-0.00856516242314755810	0xBC0C54E5	-0.00416464281535199300	0xBB88778E
-0.01176986343895761700	0xBC40D662	-0.00442389885570226330	0xBB90F65A
-0.01112478682558425800	0xBC3644BC	-0.00220027315778208510	0xBB103275
-0.00974802599931605570	0xBC1FB62F	-0.00455408126517997760	0xBB953A67
-0.01282944370145244800	0xBC523296	-0.00584884196175556110	0xBBBFA7A4
-0.01316386777485822200	0xBC57AD43	-0.00360480576732873350	0xBB6C3E9A
-0.01134539658114676300	0xBC39E20A	-0.00538527742212680220	0xBBB076FB
-0.01402054113701791200	0xBC65B669	-0.00765576762919400150	0xBBFADD3B
-0.01531269728722198600	0xBC7AE21B	-0.00577527612448476560	0xBBBD3E87
-0.01330946737762461800	0xBC5A0FF3	-0.00695831068652483580	0xBBE4028A
-0.01532678576633102900	0xBC7B1D32	-0.01009433952830352700	0xBC2562BA
-0.01741876932806955800	0xBC8EB1CE	-0.00896756844624568670	0xBC12ECB5
-0.01545548191411885500	0xBC7D38FD	-0.00965777645567915570	0xBC1E3BA6
-0.01658520043131394100	0xBC87DDAF	-0.01352320799727291900	0xBC5D9072
-0.01916117377355599400	0xBC9CF7E4	-0.01351119642148744400	0xBC5D5E10
-0.01735559854464986000	0xBC8E2D54	-0.01392767359470093200	0xBC6430E5
-0.01735407771020728800	0xBC8E2A23	-0.01836876426071976800	0xBC967A17
-0.01991119238467864100	0xBCA31CCC	-0.01974636944089512600	0xBCA1C323
-0.01818887894174009800	0xBC9500D8	-0.02016122887369326700	0xBCA52929
-0.01674385821482084500	0xBC892A6A	-0.02496995125611006800	0xBCCC8DC8
-0.01856818031735184600	0xBC981C4B	-0.02782024490254483800	0xBCE3E748
-0.01659421231615529300	0xBC87F095	-0.02841967940010914400	0xBCE8D063
-0.01328797195260715500	0xBC59B5CB	-0.03321586156781437800	0xBD080D5A
-0.01348427577160955600	0xBC5CED26	-0.03724645920352089000	0xBD188FBE
-0.01068458166550736500	0xBC2F0E62	-0.03789237323969435500	0xBD1B3508
-0.00506658962317605220	0xBBA605A2	-0.04190954566417400700	0xBD2BA958
-0.00275005543824105800	0xBB343A46	-0.04619968646879182800	0xBD3D3BE1
0.00144495952383675650	0x3ABD64CB	-0.04613450126892940800	0xBD3CF787
0.00952723994286559620	0x3C1C1823	-0.04798942750888504600	0xBD44908F
0.01472835577689001600	0x3C714F33	-0.05080573053999611100	0xBD5019AB
0.02027501842208167700	0x3CA617CB	-0.04851219878725718200	0xBD46B4BA
0.02997503225332343400	0x3CF58E32	-0.04624561552635304100	0xBD3D6C0A
0.03706423628595961800	0x3D17D0AB	-0.04530029942619825300	0xBD398CCE
0.04239364199166555800	0x3D2DA4F4	-0.03897800186167867100	0xBD1FA765
0.05100553607906800600	0x3D50EB2E	-0.03088860932019985700	0xBCFD0A1B
0.05683057761284828600	0x3D68C72E	-0.02458568296076824000	0xBCC967EA
0.05830412456469916100	0x3D6ED04E	-0.01375588317996242500	0xBC61605B
0.06119257252966656800	0x3D7AA510	-0.00040293571599511405	0xB9D3411D
0.06096589242020368500	0x3D79B75F	0.00981461383708665330	0x3C20CD79
0.05418412638564015100	0x3D5DF02C	0.02186627949571650100	0x3CB320E9
0.04711968658937240600	0x3D410092	0.03535277881207665700	0x3D10CE13
0.03780813757479674400	0x3D1ADCB4	0.04313739921126936300	0x3D30B0D7
0.02199531324616442100	0x3CB42F83	0.04847185476456500300	0x3D468A6C
0.00639717937180264880	0x3BD19F6E	0.05297348159107299900	0x3D58FAB8
-0.00766572928910746330	0xBBFB30CC	0.04954483481306189200	0x3D4AEF86
-0.02443141983902032100	0xBCC82466	0.04036828900031651200	0x3D255938
-0.03751575588085231900	0xBD19AA1F	0.03005055616192341500	0x3CF62C95

-0.04303423358984977800	0xBD3044AA	0.01361139698879244900	0x3C5F0256
-0.04581522260480482000	0xBD3BA8BE	-0.00687704870968307990	0xBBE158DD
-0.04216493979747053900	0xBD2CB524	-0.02358158899404726500	0xBCC12E2D
-0.02823170397826733900	0xBCE7462C	-0.03869861888398309200	0xBD1E8271
-0.01119241588406087000	0xBC376065	-0.05125598807979939900	0xBD51F1CC
0.00750357371775801140	0x3BF5E089	-0.05296031563791973900	0xBD58ECEA
0.02988390854490336300	0x3CF4CF19	-0.04590013400439264800	0xBD3C01C7
0.04717341007442396600	0x3D4138E7	-0.03390471570798482500	0xBD0ADFAB
0.05463785080814584400	0x3D5FCBF0	-0.01293470775197092300	0xBC53EC18
0.05574040320292048700	0x3D64500C	0.01214247713253489800	0x3C46F13D
0.04615247758954020600	0x3D3D0A61	0.03170963394924146400	0x3D01E1F6
0.02428440705541534000	0x3CC6F017	0.04615058491175998800	0x3D3D0865
0.00000667283400689860	0x36DFE735	0.05232923475603216300	0x3D56572D
-0.02279104866632010800	0xBCBAB44B	0.04267657614195477500	0x3D2ECDA2
-0.04256426016033873500	0xBD2E57DC	0.02228682946728947200	0x3CB692DE
-0.04878844376609368900	0xBD47D664	-0.00179691599152337110	0xBAEB867E
-0.03871884509167323300	0xBD1E97A6	-0.02880815800318106000	0xBCEBFF16
-0.01938705164321836300	0xBC9ED198	-0.04909564217843118100	0xBD491883
0.00791958882424471070	0x3C01C129	-0.05228381568356207200	0xBD56278D
0.03711583646461148100	0x3D1806C6	-0.04144361412476758200	0xBD29C0C7
0.05338090231934601600	0x3D5AA5EE	-0.01900686427459261100	0xBC9BB448
0.05280873218097661300	0x3D584DF8	0.01298499796008619300	0x3C54BF07
0.03806911737779103400	0x3D1BEE5C	0.03979508160837047500	0x3D23002A
0.00862025725325577840	0x3C0D3BFA	0.04983824035969024900	0x3D4C232E
-0.02465389572629979700	0xBCC9F6F7	0.04362493608271355400	0x3D32B00F
-0.04446675780134435500	0xBD3622C6	0.02008187415283139300	0x3CA482BE
-0.04628221236970695600	0xBD3D926A	-0.01523000251204908100	0xBC798742
-0.02956723987694214600	0xBCF236FF	-0.04311322907844612100	0xBD30977F
0.00433133539040360480	0x3B8DEDDF	-0.05205661042483370600	0xBD55394F
0.03819412496976776900	0x3D1C7171	-0.04127684168726850800	0xBD2911E7
0.05365201246702423100	0x3D5BC236	-0.01058229958633005000	0xBC2D6161
0.04730786321766398300	0x3D41C5E3	0.02702722264466234800	0x3CDD6831
0.01998441389041737100	0x3CA3B65A	0.04856809858755505000	0x3D46EF57
-0.01919756502900285500	0xBC9D4436	0.04536927896587269300	0x3D39D523
-0.04597676364537341100	0xBD3C5221	0.02026130813638766700	0x3CA5FB0A
-0.04499190348243822800	0xBD38496E	-0.01890275517446336100	0xBC9AD9F3
-0.02009576255501502000	0xBCA49FDE	-0.04937189396261262200	0xBD4A3A2E
0.01860116094861679100	0x3C986176	-0.04987457459234592700	0xBD4C4948
0.05069896922882782100	0x3D4FA9B8	-0.02312616080181570700	0xBCBD7313
0.05184418570825791900	0x3D545A91	0.01574056190296646200	0x3C80F259
0.02186634968228541600	0x3CB3210F	0.04716841432921561900	0x3D4133AA
-0.01819895419266943200	0xBC9515F9	0.04745340325826182700	0x3D425E7F
-0.04662877882287871900	0xBD3EFDD1	0.01371444408308125500	0x3C60B28C
-0.04351951690875362200	0xBD324185	-0.02814578178766382500	0xBCE691FB
-0.00600293999583638350	0xBBC4B44F	-0.05145582937005686200	0xBD52C359
0.03712062588771696000	0x3D180BCC	-0.04170943412889235900	0xBD2AD782
0.05347078141730311800	0x3D5B042D	-0.00069496285749647761	0xBA362E2A
0.03407891873999544700	0x3D0B9656	0.04146070962492132100	0x3D29D2B4
-0.00968216195535655240	0xBC1EA1EE	0.04897459895522853600	0x3D489996
-0.04675013485220972500	0xBD3F7D11	0.01820222353764373200	0x3C951CD4
-0.04316484553231368000	0xBD30CD9E	-0.02664283681763262800	0xBCDA4214
-0.00143803152453307800	0xBABC7C54	-0.05317862057987502600	0xBD59D1D3
0.04131532393984619500	0x3D293A41	-0.03617519785712731300	0xBD142C71
0.05179435444192130600	0x3D542651	0.01315441886813207900	0x3C5785A1
0.02025225670208201000	0x3CA5E80F	0.04857234781137968700	0x3D46F3CC
-0.03002278126413595500	0xBCF5F255	0.03895655233269207400	0x3D1F90E7
-0.05101570635749121800	0xBD50F5D8	-0.00527256944759098640	0xBBACC584

-0.02052647478611540500	0xBCA82723	-0.04707925927562169700	0xBD40D62E
0.02996795910202219200	0x3CF57F5D	-0.04656456781283027000	0xBD3EBA7C
0.05297100015959257900	0x3D58F81E	0.00043972501536228742	0x39E68AE4
0.02737120589513408400	0x3CE03994	0.04578642653610596300	0x3D3B8A8C
-0.02548668533967505000	0xBCD0C974	0.04190496467268454300	0x3D2BA48A
-0.05140018552816685200	0xBD528900	-0.00492605533493137380	0xBBA16ABF
-0.01903940608879601700	0xBC9BF887	-0.04774102221130445400	0xBD438C17
0.03554013314015829600	0x3D119287	-0.04252648680567026900	0xBD2E3040
0.05175091115729498600	0x3D53F8C3	0.00947988119776727900	0x3C1B5180
0.01380229196773455500	0x3C622302	0.05080514417784633800	0x3D50190E
-0.03794166861477880900	0xBD1B68B9	0.03103853476068265500	0x3CFE4486
-0.04563330104737915000	0xBD3AE9FB	-0.02567404846081946000	0xBCD25261
0.00403486894407134760	0x3B8436EF	-0.05222559271467275300	0xBD55EA80
0.05191332568552543800	0x3D54A311	-0.01904379849108466300	0xBC9C01BD
0.03648278978864211200	0x3D156EFA	0.03623827229291605400	0x3D146E95
-0.02181910748069341600	0xBCB2BDFC	0.04674454226909386500	0x3D3F7734
-0.04932837266599803000	0xBD4A0C8C	-0.00491982010576139970	0xBBA13671
-0.01276561922846293500	0xBC5126E3	-0.05256735291319674500	0xBD5750DD
0.04294899001637857800	0x3D2FEB47	-0.03106746523835679500	0xBCFE8132
0.04511167513629649200	0x3D38C705	0.02971264415107513500	0x3CF367EE
-0.01324452158926540600	0xBC58FF8C	0.04768470417403185300	0x3D435109
-0.05186474957230918100	0xBD547021	-0.00014410713721187411	0xB9171B77
-0.01405889451085469600	0xBC665747	-0.04980993278183770700	0xBD4C0580
0.04521693639552919200	0x3D393564	-0.03166651673101447000	0xBD01B4BF
0.04041130216235907400	0x3D258652	0.03202868434712881400	0x3D033082
-0.02017666115518874600	0xBCA54986	0.04740715760727613700	0x3D422E01
-0.04898384970689637100	0xBD48A34A	-0.01123799696659809900	0xBC381F93
-0.00267314477413112780	0xBB2F2FED	-0.05390260712334577600	0xBD5CC8FA
0.05132273198470854000	0x3D5237C8	-0.01475367045440831100	0xBC71B961
0.02764953128026875400	0x3CE28145	0.04426614174083071800	0x3D355069
-0.03911271205751452900	0xBD2034A6	0.03182723687663904800	0x3D025D46
-0.04007177276440088800	0xBD24224C	-0.03260758745252100000	0xBD058F88
0.02711366415882211400	0x3CDE1D79	-0.04715472291419638100	0xBD41254F
0.05042788812713060900	0x3D4E8D79	0.01424039130127610500	0x3C695087
-0.00812115229400232550	0xBC050E94	0.05115989120226457900	0x3D518D08
-0.04984340170537033400	0xBD4C2898	-0.00171458781073978570	0xBAE0BC05
-0.00473883933948695580	0xBB9B4843	-0.05422748591840231800	0xBD5E1DA3
0.05092523648761579400	0x3D5096FB	-0.01292318541156883700	0xBC53BBC4
0.01986345603407316600	0x3CA2B8AF	0.04872440739958267700	0x3D47933C
-0.04553662782823105600	0xBD3A849D	0.02020449919007237500	0x3CA583E7
-0.02648515135625938800	0xBCD8F763	-0.04605613018090151000	0xBD3CA55A
0.04463134681874154200	0x3D36CF5B	-0.02993115270285708400	0xBCF5322D
0.03434441905009066900	0x3D0CACBB	0.03879615005776731300	0x3D1EE8B6
-0.03918062019855552600	0xBD207BDB	0.03305495203990573700	0x3D0764A1
-0.03471533752162206400	0xBD0E31AB	-0.03777589940786020600	0xBD1ABAE6
0.03887263043911790700	0x3D1F38E8	-0.03891548117655295500	0xBD1F65D6
0.03780728226317335600	0x3D1ADBCF	0.03431025528515153200	0x3D0C88E9
-0.03507394050390655300	0xBD0FA9B1	0.03785620031837750400	0x3D1B0F1A
-0.03535278973678929900	0xBD10CE16	-0.03769162717133023300	0xBD1A6289
0.03728998459923101700	0x3D18BD62	-0.03902845381325741700	0xBD1FDC4C
0.03622843776436533000	0x3D146445	0.03792491813931590100	0x3D1B5728
-0.03730110583793629100	0xBD18C90B	0.03305434161841314100	0x3D0763FD
-0.03125555832396601600	0xBD0005D4	-0.04363817698499406600	0xBD32BDF1
0.04345646599788113200	0x3D31FF68	-0.02950987755839773500	0xBCF1BEB2
0.02777536978434348700	0x3CE3892C	0.04479896666406345300	0x3D377F1F
-0.04655108445560399200	0xBD3EAC59	0.01914456501998240700	0x3C9CD510
-0.01674074528173477900	0xBC8923E3	-0.05022686858042660400	0xBD4DBAB0

0.05289201967945363100	0x3D58A54D	-0.01125789980986203300	0xBC38730D
0.00588104856166831930	0x3BC0B5CF	0.04972058809601692700	0x3D4BA7D0
-0.05241220795854208800	0xBD56AE2E	-0.00373484468539920290	0xBB74C44B
0.01175512784558618200	0x3C409894	-0.05128378312495081300	0xBD520EF1
0.05060717758238822400	0x3D4F4978	0.01620139747833908600	0x3C84B8CB
-0.02663631634424570800	0xBCDA3467	0.04353966849865920800	0x3D3256A6
-0.03844917491753171300	0xBD1D7CE1	-0.03412543636769184400	0xBD0BC71D
0.04310082763152076800	0x3D308A7E	-0.03391850619872956900	0xBD0AEE21
0.02287656166817934900	0x3CBB67A0	0.04499432247930081800	0x3D384BF7
-0.05014995434525158100	0xBD4D6A09	0.01229186642653223300	0x3C4963D3
0.00168959519427577420	0x3ADD7568	-0.05362797501710228600	0xBD5BA901
0.05092543675290797700	0x3D509730	0.00998041281354339340	0x3C2384E2
-0.02433593132977242300	0xBCC75C25	0.04596850243425980300	0x3D3C4977
-0.03600994206163182100	0xBD137F29	-0.03676308826076356300	0xBD1694E4
0.04529511965280370900	0x3D398760	-0.02916807073378446800	0xBCEEFF1E0
0.01276109524429091000	0x3C5113E9	0.05019301709709889100	0x3D4D9731
-0.05026324479124939100	0xBD4DE0D5	-0.00325351648242110750	0xBB5538F2
0.01941824489212287000	0x3C9F1302	-0.05122078301529176700	0xBD51CCE2
0.03995335274495008500	0x3D23A620	0.03237927703266319700	0x3D04A021
-0.04298156510869264500	0xBD300D70	0.02690141248723259400	0x3CDC6059
-0.00910696993172641080	0xBC153566	-0.05350210320740157700	0xBD5B2505
0.05103891801040826000	0x3D510E2F	0.00714968262801300450	0x3BEA47E2
-0.02522016446762276700	0xBCE9A84	0.04498830149286871200	0x3D3845A7
-0.03030470490764962400	0xBCF84192	-0.04346065158003413500	0xBD3203CB
0.04995739060237051200	0x3D4CA01E	-0.01510199000882627700	0xBC776E56
-0.00673081289560078290	0xBBDC8E26	0.05175097870544859800	0x3D53F8D5
-0.04235682977580610500	0xBD2D7E5A	-0.02963531173664230400	0xBCF2C5C0
0.04342345001036117300	0x3D31DCC9	-0.03048832871388100800	0xBCF9C2A8
0.00743495676145223060	0x3BF3A0F0	0.05178315059196503300	0x3D541A91
-0.04769349801401055700	0xBD435A41	-0.01765838956374531800	0xBC90A853
0.03678346206740194800	0x3D16AA41	-0.03928670429361257700	0xBD20EB18
0.01592133959207071200	0x3C826D78	0.04958635580798009800	0x3D4B1B10
-0.04950648543660485900	0xBD4AC74F	-0.01014967968591010600	0xBC264AD7
0.03307632431908371500	0x3D077B0A	-0.04310634638291079700	0xBD309047
0.01898795469776467400	0x3C9B8CA0	0.04806392091504502900	0x3D44DEAC
-0.04995982084772201300	0xBD4CA2AB	-0.00797527025561854850	0xBC02AAB5
0.03352106893895905700	0x3D094D63	-0.04310930037519757100	0xBD309360
0.01698717904474880000	0x3C8B28B2	0.04835156275315905700	0x3D460C49
-0.04959351166149891100	0xBD4B2290	-0.01130343402335871400	0xBC393209
0.03805874208439968100	0x3D1BE37B	-0.03927721421810539300	0xBD20E124
0.00976363017472098830	0x3C1FF7A2	0.04991949063693427300	0x3D4C7861
-0.04723403703971434900	0xBD41787A	-0.01988425551791794100	0xBCA2E44E
0.04535179997021410200	0x3D39C2CF	-0.03041854830709644600	0xBCF93051
-0.00303994837860427580	0xBB4739DE	0.05050096383874456300	0x3D4EDA19
-0.04021179210078749300	0xBD24B51E	-0.03246066378518874800	0xBD04F579
0.05224557336629320100	0x3D55FF74	-0.01491979867732255200	0xBC74722B
-0.02074999644371988300	0xBCA9FBE5	0.04607977588483885100	0x3D3CBE25
-0.02528923363839003300	0xBCCF2B5D	-0.04552746861735913100	0xBD3A7B02
0.05330043155635322300	0x3D5A518D	0.00745199381537235000	0x3BF42FDA
-0.03966546414453149500	0xBD227840	0.03182985122485378100	0x3D026004
-0.00104023199846248870	0xBA885864	-0.05230383527681329400	0xBD563C8B
0.04178067368690766000	0x3D2B2236	0.03270335617082900700	0x3D05F3F4
-0.05142994703505448400	0xBD52A835	0.00522621070720999480	0x3BAB40A2
0.02821097732715668500	0x3CE71AB5	-0.04390453732194468700	0xBD33D53E
0.01387142583260403800	0x3C6344FA	0.05031296575829250600	0x3D4E14F7
-0.04462956792244229800	0xBD36CD7E	-0.0285529797352697800	0xBCE9ECCC
0.04928688846541889900	0x3D49E10C	-0.01519232017778804700	0xBC78E935

-0.02392623485217155300	0xBCC400F3	0.04564673481371141900	0x3D3AF812
-0.01301815307628820600	0xBC554A17	-0.05268718667223794300	0xBD57CE84
0.04398629724940807100	0x3D342AF9	0.02522511818183868100	0x3CCEA4E8
-0.05010665213613646500	0xBD4D3CA2	0.01157632879753084700	0x3C3DAAA4
0.03128193949938498600	0x3D00217D	-0.04496751170063533600	0xBD382FDA
0.00538748221545992580	0x3BB08979	0.05007947864968854300	0x3D4D2023
-0.03849620911991961200	0xBD1DAE33	-0.03464428380756409700	0xBD0DE72A
0.05387259174635596100	0x3D5CA981	-0.00040996734414198185	0xB9D6F0E2
-0.04164893922512245100	0xBD2A9813	0.03022592342961229900	0x3CF79C5B
0.01119400211324224700	0x3C37670C	-0.05079404577728204700	0xBD500D6A
0.02459179163540091100	0x3CC974B9	0.04569740181415429100	0x3D3B2D32
-0.04714214936730638800	0xBD411820	-0.02562093264083432200	0xBCD1E2FD
0.05069267982762641600	0x3D4FA320	-0.00981631870775341760	0xBC20D49F
-0.03374621786427052500	0xBD0A3979	0.03753690063106476800	0x3D19C04B
0.00649288175216052990	0x3BD4C23D	-0.05446089323384031800	0xBD5F1262
0.02359122815087132100	0x3CC14264	0.04567645359983575600	0x3D3B173B
-0.04479420515680258100	0xBD377A20	-0.02446784146046033400	0xBCC870C8
0.05248789269400407800	0x3D56FD8B	-0.00828207846190401850	0xBC07B18E
-0.04162092430622729700	0xBD2A7AB3	0.03218552628384951900	0x3D03D4F8
0.01757855842722016000	0x3C9000E8	-0.04951750086115253700	0xBD4AD2DC
0.01311292057269257900	0x3C56D793	0.04831950876046564600	0x3D45EAAD
-0.03780838143111656100	0xBD1ADCF6	-0.03866306179624153700	0xBD1E5D28
0.05106277470283324100	0x3D512733	0.01398513209201299700	0x3C6521E5
-0.04913873373837610000	0xBD4945B2	0.01090425056507899300	0x3C32A7BD
0.03670753342788145300	0x3D165AA3	-0.03782823773936328700	0xBD1AF1C8
-0.01610334081861418800	0xBC83EB27	0.04999979724975129500	0x3D4CCC96
-0.00699404728322461110	0xBBE52E52	-0.05321920442205650000	0xBD59FC61
0.03022073987508730500	0x3CF7917C	0.03963166509196780500	0x3D2254D0
-0.04688719067975647600	0xBD400CC8	-0.02350298850955787700	0xBCC08956
0.05397920012014859000	0x3D5D194B	0.00009546126665833918	0x38C83260
-0.04835144981079538700	0xBD460C2B	0.01823775759764461100	0x3C956759
0.03413433922575447000	0x3D0BD072	-0.03870555632771408700	0xBD1E89B7
-0.01485140732173249200	0xBC735351	0.04884690277206363300	0x3D4813B0
-0.00407660007593337120	0xBB859500	-0.05485323513047975900	0xBD60ADC9
0.02225474197539023900	0x3CB64F93	0.04622661241018771000	0x3D3D581D
-0.03760248958997827700	0xBD1A0511	-0.03483968470206921100	0xBD0EB40E
0.04940339802193081900	0x3D4A5B37	0.01562000778103694000	0x3C7FEB0F
-0.05372451425438793500	0xBD5C0E3C	-0.00122783920226510950	0xBAA0EF72
0.05033817126050097600	0x3D4E2F65	-0.01699114133166276800	0xBC8B3101
-0.04000335393748381100	0xBD23DA8E	0.02969070452584250000	0x3CF339EB
0.02730316404596219700	0x3CDFAAE2	-0.04497957308754020600	0xBD383C80
-0.01385666149332858000	0xBC63070C	0.05067920051422147200	0x3D4F94FE
0.00059920256417193537	0x3A1D13CD	-0.05443085323236421900	0xBD5EF2E2
0.01400691554994279800	0x3C657D43	0.04786554942440658000	0x3D440EAA
-0.02833950613445981900	0xBCE82840	-0.04336081150606927600	0xBD319B1B
0.04033087240247504300	0x3D2531FC	0.03345416829979633300	0x3D09073C
-0.04715472291419668700	0xBD41254F	-0.02711366415882245400	0xBCDE1D79
0.04984794717534313900	0x3D4C2D5C	0.01357143670949441700	0x3C5E5ABB
-0.05035447394724338500	0xBD4E407E	-0.00268406504989244800	0xBB2FE723
0.05070510212225298700	0x3D4FB027	-0.01236852874879674500	0xBC4AA55E
-0.04962948641496651300	0xBD4B4849	0.01971313492162373200	0x3CA17D70
0.04558236901813005100	0x3D3AB494	-0.02889436610089189300	0xBCECB3E0
-0.03820608900408777700	0xBD1C7DFC	0.03264973002860437100	0x3D05BBB9
0.03007337829024991200	0x3CF65C72	-0.04183453317516396000	0xBD2B5AAF
-0.02352940820639888200	0xBCC0C0BE	0.04588329666580298600	0x3D3BF01F
0.01873484076683663800	0x3C9979CF	-0.05192634553205348300	0xBD54B0B8
-0.01354870708428605900	0xBC5DFB65	0.04995112065752631300	0x3D4C998B

0.00649182239865687270	0x3BD4B95A	-0.05145706226563751700	0xBD52C4A3
0.00116792202488960240	0x3A9914F5	0.04947609849651856500	0x3D4AA773
-0.00696704409488877950	0xBBE44BCD	-0.05356645174576205000	0xBD5B687E
0.00972159650077130890	0x3C1F4754	0.05210848012789911400	0x3D556FB3
-0.01147170704193271700	0xBC3BF3D3	-0.05286480458803193700	0xBD5888C3
0.01433182986545940600	0x3C6AD00D	0.04745620752289653900	0x3D426170
-0.01880943912437827600	0xBC9A1640	-0.04803468208521247100	0xBD44C003
0.02214184796686876800	0x3CB562D2	0.04641061191311671200	0x3D3E190D
-0.02281117964313359900	0xBCBADE82	-0.05037171555535002700	0xBD4E5292
0.02106053726386602700	0x3CAC8725	0.04796088481202302100	0x3D4472A1
-0.02017936419031707600	0xBCA54F31	-0.04831509277362221200	0xBD45E60B
0.02088927530537848900	0x3CAB1FFC	0.04434635311477102400	0x3D35A485
-0.02228483309691757500	0xBCB68EAE	-0.04769750677275309100	0xBD435E75
0.02086903262645336100	0x3CAAF588	0.04829604984230138200	0x3D45D214
-0.01691476735486036100	0xBC8A90D6	-0.052777777741610527300	0xBD582D82
0.01182827042666919500	0x3C41CB5C	0.05001795882188644200	0x3D4CDDFA1
-0.00896147098634780640	0xBC12D322	-0.05085211039134530200	0xBD504A4D
0.00688275397233057380	0x3BE188B9	0.04856155775486344800	0x3D46E87B
-0.00386253014352839610	0xBB7D2280	-0.05320395312371338500	0xBD59EC63
-0.00303835913195140640	0xBB471F35	0.05288561798619730700	0x3D589E96
0.01120153320372547700	0x3C3786A2	-0.05422972618612293500	0xBD5E1FFD
-0.01877565397191462800	0xBC99CF66	0.04780447300214949600	0x3D43CE9F
0.02327956882934523200	0x3CBEB4CB	-0.04569971508503281600	0xBD3B2F9F
-0.02807511008648117000	0xBCE5FDC5	0.04038277551278437300	0x3D256868
0.03428035736691531500	0x3D0C698F	-0.03992848572426990100	0xBD238C0D
-0.04302649390852408800	0xBD303C8C	0.03169250242176242100	0x3D01CFFF
0.04946710713648313400	0x3D4A9E05	-0.02384546589614853000	0xBCC35791
-0.05239203926206603000	0xBD569908	0.00922539123322500130	0x3C172618
0.05072182792590153300	0x3D4FC1B1	-0.00058379394883869694	0xBA1909BF
-0.04898393007294320900	0xBD48A35F	-0.01083838756565048100	0xBC31937E
0.04659829670038003600	0x3D3EDDD8	0.01791240764326600500	0x3C92BD0A
-0.04313174693645379500	0xBD30AAEA	-0.03193768230944442300	0xBD02D116
0.03344478538699637700	0x3D08FD66	0.04172593640852191600	0x3D2AE8D0
-0.01928589496979953000	0xBC9DFD74	-0.05239916045951571700	0xBD56A080
0.00220134913759506340	0x3B104482	0.05175801123235324700	0x3D540035
0.01183921013101968400	0x3C41F93F	-0.05045757116512431700	0xBD4EAC99
-0.02431409180024535600	0xBCC72E58	0.04208507967142476700	0x3D2C6167
0.03497327252799305900	0x3D0F4022	-0.03687678976240747800	0xBD170C1D
-0.04661758100017543400	0xBD3EF213	0.02301733478169583000	0x3CBC8ED9
0.05359654620603647400	0x3D5B880D	-0.00793694623628355550	0xBC0209F7
-0.05349508820635693500	0xBD5B1DAA	-0.01560385632115274100	0xBC7FA751
0.04232736015237326100	0x3D2D5F74	0.03227802599192099200	0x3D0435F6
-0.02598827994383596700	0xBCD4E55F	-0.04654065847926761700	0xBD3EA16A
0.00691702712582973820	0x3BE2A83A	0.04830880114326247000	0x3D45DF73
0.00990845929499195590	0x3C225717	-0.04925653090809076200	0xBD49C137
-0.02767979644312128600	0xBCE2C0BD	0.04075226184880241500	0x3D26EBD7
0.04300938737659921300	0x3D302A9C	-0.03014016583304679800	0xBCF6E882
-0.05409812976647190200	0xBD5D9600	0.00647279243258912320	0x3BD419B7
0.05189791443009581000	0x3D5492E8	0.01723745874840428000	0x3C8D3592
-0.03733440350551010800	0xBD18EBF5	-0.04205604780254416200	0xBD2C42F6
0.01221648314454115500	0x3C4827A4	0.05078787940804543200	0x3D5006F3
0.01208865089388950200	0x3C460F7A	-0.05086095472046173200	0xBD505393
-0.03267888143166210200	0xBD05DA4A	0.03613982383364688200	0x3D14075A
0.04446675780134331400	0x3D3622C6	-0.02008187415283223300	0xBCA482BE
-0.04987311925822764100	0xBD4C47C1	-0.00486020556753754670	0xBB9F425B
0.04271671123173251300	0x3D2EF7B7	0.02708212729471786600	0x3CDDDB56
-0.02366470930228831100	0xBCC1DC7E	-0.04972813843066245500	0xBD4BAFBB

-0.00774631073293787120	0xBBFDD4C3	0.05382719606866343000	0x3D5C79E7
0.03707757964080387500	0x3D17DEA8	-0.04284897559989312600	0xBD2F8268
-0.05449965149535739700	0xBD5F3B06	0.01117794502916789200	0x3C3723B3
0.04927823859606867600	0x3D49D7FA	0.01918260854124627700	0x3C9D24D8
-0.02859261952426540500	0xBCEA3B11	-0.04437005703253087800	0xBD35BD60
-0.00125848431224854630	0xBAA4F3B9	0.04824391308761198600	0x3D459B68
0.02662353908076174300	0x3CDA199B	-0.04092344461324147500	0xBD279F57
-0.04497230295761292500	0xBD3834E0	0.01690890231179433000	0x3C8A8489
0.04745482930757606600	0x3D425FFE	0.00942131763074341610	0x3C1A5BDE
-0.03418508776413541800	0xBD0C05A9	-0.03961980097422325400	0xBD22485F
0.00222092632413756990	0x3B118CF5	0.05210255655909128100	0x3D55697D
0.03283272209976807000	0x3D067B9A	-0.04536038395304136500	0xBD39CBCF
-0.05614414247959793900	0xBD65F766	0.01011274272237247200	0x3C25AFE4
0.04849030949584678300	0x3D469DC6	0.02830708905131470300	0x3CE7E444
-0.01603054065258762200	0xBC83527A	-0.05583799899418706600	0xBD64B662
-0.02642631347289005300	0xBCD87BFF	0.04797416229361240600	0x3D44808E
0.05024398869276659700	0x3D4DCCA4	-0.01834775875269514100	0xBC964E09
-0.04729340292397275100	0xBD41B6BA	-0.02271080199440517200	0xBCBA0C00
0.01798263781141849800	0x3C935053	0.04439861428454281600	0x3D35DB52
0.01602581466059974800	0x3C834891	-0.04557572546951481300	0xBD3AAD9C
-0.04191464893089800300	0xBD2BAEB1	0.01973551687397042900	0x3CA1AC60
0.0436396066851549500	0x3D32BF88	0.01152357527022469600	0x3C3CCD60
-0.02422059960680382800	0xBCC66A47	-0.04151903683419909400	0xBD2A0FDD
-0.01277968002042965100	0xBC5161DC	0.04542216210990979200	0x3D3A0C96
0.04316176239985273400	0x3D30CA63	-0.02550522159727507500	0xBCD0F053
-0.05019344539947501200	0xBD4D97A4	-0.01810336142059567800	0xBC944D80
0.01959041774444488000	0x3CA07C15	0.04949272715977619300	0x3D4AB8E2
0.02663992177077171400	0x3CDA3BF7	-0.05079965595980390200	0xBD50134C
-0.05831683954653661700	0xBD6EDDA3	0.00832046028292294030	0x3C08528A
0.04268383427095887000	0x3D2ED53E	0.03990167945198628400	0x3D236FF1
0.00681133715053513790	0x3BDF31A3	-0.06137403660820016400	0xBD7B6357
-0.05447752837313278600	0xBD5F23D4	0.02787278587339604400	0x3CE45577
0.05379633766978372800	0x3D5C598C	0.02635430356953714600	0x3CD7E4FA
-0.00853765273481013090	0xBC0BE182	-0.06132926580546321800	0xBD7B3465
-0.04592117786675540400	0xBD3C17D8	0.03803835327375260100	0x3D1BCE1A
0.05561120140303602700	0x3D63C892	0.01496328135662416800	0x3C75288D
-0.01707403601100663400	0xBC8BDED9	-0.05598528408304769000	0xBD6550D3
-0.03743996688635380100	0xBD195AA6	0.04044018290695194900	0x3D25A49A
0.05198477660856545100	0x3D54EDFD	0.00787989873968267950	0x3C011AB0
-0.01964624374920780400	0xBCA0F128	-0.04911386592541879700	0xBD492B9E
-0.03102433502599793700	0xBCFE26BF	0.03783178676396491800	0x3D1AF580
0.04590320002234438100	0x3D3C04FE	0.00483490879614625370	0x3B9E6E27
-0.01815350397803935900	0xBC94B6A8	-0.04257257483459780900	0xBD2E6094
-0.02685924722637492900	0xBCDC07EC	0.03256779370205528000	0x3D0565CE
0.03909680045957359500	0x3D2023F7	0.00462951713761673100	0x3B97B334
-0.01439428842683548500	0xBC6BD605	-0.03690432057319971400	0xBD1728FC
-0.02434544312947821800	0xBCC77018	0.02621379516847650200	0x3CD6BE50
0.03235852149176303400	0x3D048A5E	0.00599767842300306770	0x3BC4882C
-0.00969284989414815130	0xBC1ECEC2	-0.03201237272781797000	0xBD031F67
-0.02273253861209982600	0xBCBA3996	0.01967452520138411900	0x3CA12C78
0.02596606494243525900	0x3CD4B6C8	0.00794191023998333000	0x3C021EC9
-0.00490896723062268610	0xBBA0DB66	-0.02760935944575124100	0xBCE22D05
-0.02140142621488831000	0xBCAF520B	0.01343705583848347000	0x3C5C2718
0.01998546502520770100	0x3CA3B88E	0.00978662762803271350	0x3C205817
-0.00056200316511314109	0xBA135364	-0.02343900939807036200	0xBCC0032A
-0.01994118266684757500	0xBCA35BB0	0.00776500236521368140	0x3BFE718F
0.01443443191416162900	0x3C6C7E65	0.01112617376194395400	0x3C364A8E

0.00305100907267111990	0x3B47F370	-0.01935257482561681200	0xBC9E894A
-0.01813534326513674800	0xBC949092	0.00281342799719019270	0x3B38617D
0.00934784995398028720	0x3C1927B9	0.01175490156165184300	0x3C4097A1
0.00577527612448432410	0x3BBD3E87	-0.01531269728722285500	0xBC7AE21B
-0.01592014882147625000	0xBC826AF8	-0.00131727494058265000	0xBAACA869
0.00478985308723485060	0x3B9CF433	0.01160933003663348900	0x3C3E350F
0.00755212961564119810	0x3BF777DA	-0.01136870167093388200	0xBC3A43CA
-0.01334095318671759700	0xBC5A9403	-0.00456317280542293740	0xBB9586AA
0.00084233752758717324	0x3A5CD050	0.01072632903386872900	0x3C2FBD7C
0.00839430374627268130	0x3C098843	-0.00762481137464251880	0xBBF9D98D
-0.01051459910204122000	0xBC2C456C	-0.00689519921253682090	0xBBE1F11F
-0.00241364007618102790	0xBB1E2E29	0.00921306673681563520	0x3C16F267
0.00837176304477181900	0x3C0929B8	-0.00421012196613127030	0xBB89F510
-0.00759845290421697250	0xBBF8FC71	-0.00832274011842086200	0xBC085C1A
-0.00491563516176049980	0xBBA11356	0.00722380672224740530	0x3BECB5AE
0.00760116451859620210	0x3BF91330	-0.00125335441076325800	0xBAA44798
-0.00476499164172765330	0xBB9C23A5	-0.00889646703603649660	0xBC11C27C
-0.00663335874111712150	0xBBD95CA5	0.00494023860373706170	0x3BA1E1B9
0.00623537306723078930	0x3BCC5219	0.00113682492680905510	0x3A950183
-0.00218097266677231940	0xBB0EEEA6	-0.00870784062339683040	0xBC0EAB54
-0.00757681009188840730	0xBBF846E3	0.00255374414627969810	0x3B275CB7
0.00445168587080486520	0x3B91DF72	0.00288583967896048010	0x3B3D205B
0.00000923689807752991	0x371AF82C	-0.00788458839504737640	0xBC012E5C
-0.00779888347331826170	0xBBFF8DC6	0.00024923422733963267	0x3982ABA6
0.00243875541028942170	0x3B1FD386	0.00396172457960652750	0x3B81D15A
0.00169617628163235150	0x3ADE523B	-0.00658248906314786930	0xBBD7B1EB
-0.00739289288460782090	0xBBF24014	-0.00180909650526412990	0xBAED1F34
0.00038292031352642842	0x39C8C2B1	0.00437838672273185150	0x3B8F7891
0.00281348904784962770	0x3B386283	-0.00497435357758347140	0xBBA2FFE6
-0.00648580448410762760	0xBBD486DF	-0.00348944635380756850	0xBB64AF31
-0.00154502427623298970	0xBACA8269	0.00419402642952786470	0x3B896E0B
0.00334168544845048900	0x3B5B002D	-0.00323737812842204080	0xBB542A31
-0.00522820684794216530	0xBBAB5160	-0.00470084344104458080	0xBB9A0988
-0.00320152255748812000	0xBB51D0A2	0.00350534747655845400	0x3B65B9F8
0.00330754245558233370	0x3B58C35A	-0.00154015037733229330	0xBAC9DEDf
-0.00378221021727593400	0xBB77DEF5	-0.00539783594151693570	0xBBB0E054
-0.00447943929269916180	0xBB92C842	0.00243840668274593630	0x3B1FCDAC
0.002779479656650673190	0x3B3627EE	-0.00003055983838747099	0xB8002D60
-0.00230854306284977150	0xBB174AEC	-0.00558120269894075290	0xBBB6E285
-0.00531397880561894960	0xBBAE20E2	0.00113714192565155270	0x3A950C26
0.00185952852852733570	0x3AF3BB6C	0.00117427926084838850	0x3A99EA46
-0.00095409892654334770	0xBA7A1C7E	-0.00529477551028345680	0xBBAD7FCB
-0.00568490360240835650	0xBBBA486D	-0.00024925831714201337	0xB982AEE2
0.00067275942596055761	0x3A305C1E	0.00199521825747071790	0x3B02C235
0.00015892419909567298	0x3926A4E3	-0.00461879123431211710	0xBB97593A
-0.00561496120564506950	0xBBB7FDB5	-0.00157894404271687030	0xBACEF492
-0.00064478965986575752	0xBA29071A	0.00239480453613117590	0x3B1CF227
0.00094134907458474763	0x3A76C4DD	-0.00366048230719680930	0xBB6FE4B3
-0.00516477544876639290	0xBBA93D46	-0.00272881162922770190	0xBB32D5DC
-0.00195854837092499820	0xBB005AFD	0.00237732015453657850	0x3B1BCCD0
0.00134213809591311780	0x3AAFEAAE	-0.00254283757612959720	0xBB26A5BC
-0.00442477360264114960	0xBB90FDB0	-0.00360374518234512920	0xBB6C2CCF
-0.00314708914400936960	0xBB4E3F64	0.00198524588944732750	0x3B021AE6
0.00134995571081805360	0x3AB0F0FF	-0.00139260002715809450	0xBAB687E7
-0.00350497449169646920	0xBB65B3B6	-0.00414294146376503830	0xBB87C183
-0.00411202770293031540	0xBB86BE30	0.00129259442707274070	0x3AA96C45
0.00099116489432346500	0x3A81E9F9	-0.00032860227349915583	0xB9AC4840

-0.00252363306291757000	0xBB256389	-0.00432286349808919370	0xBB8DA6CE
-0.00478533237713168160	0xBB9CCE47	0.00039583106553664439	0x39CF878B
0.00032457793023018378	0x39AA2C1C	0.00054852690004332755	0x3A0FCB04
-0.00159580993330398540	0xBAD12A7E	-0.00415669471085295360	0xBB8834E1
-0.00513349258359317980	0xBBA836DB	-0.00059670060180340445	0xBA1C6BE6
-0.00056642915912882342	0xBA147C6A	0.00116441265272177540	0x3A989F34
-0.00082290593249562192	0xBA57B848	-0.00369049349274404910	0xBB71DC34
-0.00515830632306776400	0xBBA90702	-0.00157582335053615010	0xBACE8BDB
-0.00158360627069145990	0xBACF9102	0.00147610582197159490	0x3AC179E4
-0.00028407690126272062	0xB994F028	-0.00299654712201004050	0xBB4461B7



Date 10/01/2023
 Issue 1
 Revision 0
 Page 72 of 81

5.4.2 ON-BOARD REFERENCE FUNCTION COEFFICIENTS FOR BAND: B1

Reference Function Real Component	32 bit float (HEX)	Reference Function Imaginary Component	32 bit float (HEX)
-0.00028407690126272062	0xB994F028	0.00299654712201004050	0x3B4461B7
-0.00158360627069145990	0xBACF9102	-0.00147610582197159490	0xBAC179E4
-0.00515830632306776400	0xBBA90702	0.00157582335053615010	0x3ACE8BDB
-0.00082290593249562192	0xBA57B848	0.00369049349274404910	0x3B71DC34
-0.00056642915912882342	0xBA147C6A	-0.00116441265272177540	0xBA989F34
-0.00513349258359317980	0xBBA836DB	0.00059670060180340445	0x3A1C6BE6
-0.00159580993330398540	0xBAD12A7E	0.00415669471085295360	0x3B8834E1
0.00032457793023018378	0x39AA2C1C	-0.00054852690004332755	0xBA0FCB04
-0.00478533237713168160	0xBB9CCE47	-0.00039583106553664439	0xB9CF878B
-0.00252363306291757000	0xBB256389	0.00432286349808919370	0x3B8DA6CE
0.00099116489432346500	0x3A81E9F9	0.00032860227349915583	0x39AC4840
-0.00411202770293031540	0xBB86BE30	-0.00129259442707274070	0xBAA96C45
-0.00350497449169646920	0xBB65B3B6	0.00414294146376503830	0x3B87C183
0.00134995571081805360	0x3AB0F0FF	0.00139260002715809450	0x3AB687E7
-0.00314708914400936960	0xBB4E3F64	-0.00198524588944732750	0xBB021AE6
-0.00442477360264114960	0xBB90FDB0	0.00360374518234512920	0x3B6C2CCF
0.00134213809591311780	0x3AAFEAAE	0.00254283757612959720	0x3B26A5BC
-0.00195854837092499820	0xBB005AFD	-0.00237732015453657850	0xBB1BCCD0
-0.00516477544876639290	0xBBA93D46	0.00272881162922770190	0x3B32D5DC
0.00094134907458474763	0x3A76C4DD	0.00366048230719680930	0x3B6FE4B3
-0.00064478965986575752	0xBA29071A	-0.00239480453613117590	0xBB1CF227
-0.00561496120564506950	0xBBB7FDB5	0.00157894404271687030	0x3ACEF492
0.00015892419909567298	0x3926A4E3	0.00461879123431211710	0x3B97593A
0.00067275942596055761	0x3A305C1E	-0.00199521825747071790	0xBB02C235
-0.00568490360240835650	0xBBBA486D	0.00024925831714201337	0x3982AEE2
-0.00095409892654334770	0xBA7A1C7E	0.00529477551028345680	0x3BAD7FCB
0.00185952852852733570	0x3AF3BB6C	-0.00117427926084838850	0xBA99EA46
-0.00531397880561894960	0xBBAE20E2	-0.00113714192565155270	0xBA950C26
-0.00230854306284977150	0xBB174AEC	0.00558120269894075290	0x3BB6E285
0.00277947965665063190	0x3B3627EE	0.00003055983838747099	0x38002D60
-0.00447943929269916180	0xBB92C842	-0.00243840668274593630	0xBB1FCDAC
-0.00378221021727593400	0xBB77DEF5	0.00539783594151693570	0x3BB0E054
0.00330754245558233370	0x3B58C35A	0.00154015037733229330	0x3AC9DED7
-0.00320152255748812000	0xBB51D0A2	-0.00350534747655845400	0xBB65B9F8
-0.00522820684794216530	0xBBAB5160	0.00470084344104458080	0x3B9A0988
0.00334168544845048900	0x3B5B002D	0.00323737812842204080	0x3B542A31
-0.00154502427623298970	0xBACA8269	-0.00419402642952786470	0xBB896E0B
-0.00648580448410762760	0xBBD486DF	0.00348944635380756850	0x3B64AF31
0.00281348904784962770	0x3B386283	0.00497435357758347140	0x3BA2FFE6
0.00038292031352642842	0x39C8C2B1	-0.00437838672273185150	0xBB8F7891
-0.00739289288460782090	0xBBF24014	0.00180909650526412990	0x3AED1F34
0.00169617628163235150	0x3ADE523B	0.00658248906314786930	0x3BD7B1EB
0.00243875541028942170	0x3B1FD386	-0.00396172457960652750	0xBB81D15A
-0.00779888347331826170	0xBBFF8DC6	-0.00024923422733963267	0xB982ABA6
0.00000923689807752991	0x371AF82C	0.00788458839504737640	0x3C012E5C
0.00445168587080486520	0x3B91DF72	-0.00288583967896048010	0xBB3D205B

-0.00757681009188840730	0xBBF846E3	-0.00255374414627969810	0xBB275CB7
-0.00218097266677231940	0xBB0EEEE46	0.00870784062339683040	0x3C0EAB54
0.00623537306723078930	0x3BCC5219	-0.00113682492680905510	0xBA950183
-0.00663335874111712150	0xBBD95CA5	-0.00494023860373706170	0xBBA1E1B9
-0.00476499164172765330	0xBB9C23A5	0.00889646703603649660	0x3C11C27C
0.00760116451859620210	0x3BF91330	0.00125335441076325800	0x3AA44798
-0.00491563516176049980	0xBBA11356	-0.00722380672224740530	0xBBECB5AE
-0.00759845290421697250	0xBBF8FC71	0.00832274011842086200	0x3C085C1A
0.00837176304477181900	0x3C0929B8	0.00421012196613127030	0x3B89F510
-0.00241364007618102790	0xBB1E2E29	-0.00921306673681563520	0xBC16F267
-0.01051459910204122000	0xBC2C456C	0.00689519921253682090	0x3BE1F11F
0.00839430374627268130	0x3C098843	0.00762481137464251880	0x3BF9D98D
0.00084233752758717324	0x3A5CD050	-0.01072632903386872900	0xBC2FBD7C
-0.01334095318671759700	0xBC5A9403	0.00456317280542293740	0x3B9586AA
0.00755212961564119810	0x3BF777DA	0.01136870167093388200	0x3C3A43CA
0.00478985308723485060	0x3B9CF433	-0.01160933003663348900	0xBC3E350F
-0.01592014882147625000	0xBC826AF8	0.00131727494058265000	0x3AACA869
0.00577527612448432410	0x3BBD3E87	0.01531269728722285500	0x3C7AE21B
0.00934784995398028720	0x3C1927B9	-0.01175490156165184300	0xBC4097A1
-0.01813534326513674800	0xBC949092	-0.00281342799719019270	0xBB38617D
0.00305100907267111990	0x3B47F370	0.01935257482561681200	0x3C9E894A
0.01443443191416162900	0x3C6C7E65	-0.01112617376194395400	0xBC364A8E
-0.01994118266684757500	0xBCA35BB0	-0.00776500236521368140	0xBBFE718F
-0.00056200316511314109	0xBA135364	0.02343900939807036200	0x3CC0032A
0.01998546502520770100	0x3CA3B88E	-0.00978662762803271350	0xBC205817
-0.02140142621488831000	0xBCAF520B	-0.01343705583848347000	0xBC5C2718
-0.00490896723062268610	0xBBA0DB66	0.02760935944575124100	0x3CE22D05
0.02596606494243525900	0x3CD4B6C8	-0.00794191023998333000	0xBC021EC9
-0.02273253861209982600	0xBCBA3996	-0.01967452520138411900	0xBCA12C78
-0.00969284989414815130	0xBC1ECEC2	0.03201237272781797000	0x3D031F67
0.03235852149176303400	0x3D048A5E	-0.00599767842300306770	0xBBC4882C
-0.02434544312947821800	0xBCC77018	-0.02621379516847650200	0xBCD6BE50
-0.01439428842683548500	0xBC6BD605	0.03690432057319971400	0x3D1728FC
0.03909680045957359500	0x3D2023F7	-0.00462951713761673100	0xBB97B334
-0.02685924722637492900	0xBCDC07EC	-0.03256779370205528000	0xBD0565CE
-0.01815350397803935900	0xBC94B6A8	0.04257257483459780900	0x3D2E6094
0.04590320002234438100	0x3D3C04FE	-0.00483490879614625370	0xBB9E6E27
-0.03102433502599793700	0xBCFE26BF	-0.03783178676396491800	0xBD1AF580
-0.01964624374920780400	0xBCA0F128	0.04911386592541879700	0x3D492B9E
0.05198477660856545100	0x3D54EDFD	-0.00787989873968267950	0xBC011AB0
-0.03743996688635380100	0xBD195AA6	-0.04044018290695194900	0xBD25A49A
-0.01707403601100663400	0xBC8BDED9	0.05598528408304769000	0x3D6550D3
0.05561120140303602700	0x3D63C892	-0.01496328135662416800	0xBC75288D
-0.04592117786675540400	0xBD3C17D8	-0.03803835327375260100	0xBD1BCE1A
-0.00853765273481013090	0xBC0BE182	0.06132926580546321800	0x3D7B3465
0.05379633766978372800	0x3D5C598C	-0.02635430356953714600	0xBCD7E4FA
-0.05447752837313278600	0xBD5F23D4	-0.02787278587339604400	0xBCE45577
0.00681133715053513790	0x3BDF31A3	0.06137403660820016400	0x3D7B6357
0.04268383427095887000	0x3D2ED53E	-0.03990167945198628400	0xBD236FF1
-0.05831683954653661700	0xBD6EDDA3	-0.00832046028292294030	0xBC08528A
0.02663992177077171400	0x3CDA3BF7	0.05079965595980390200	0x3D50134C
0.01959041774444488000	0x3CA07C15	-0.04949272715977619300	0xBD4AB8E2
-0.05019344539947501200	0xBD4D97A4	0.01810336142059567800	0x3C944D80
0.04316176239985273400	0x3D30CA63	0.02550522159727507500	0x3CD0F053
-0.01277968002042965100	0xBC5161DC	-0.04542216210990979200	0xBD3A0C96
-0.02422059960680382800	0xBCC66A47	0.04151903683419909400	0x3D2A0FDD
0.04363969066851549500	0x3D32BF88	-0.01152357527022469600	0xBC3CCD60

-0.04191464893089800300	0xBD2BAEB1	-0.01973551687397042900	0xBCA1AC60
0.01602581466059974800	0x3C834891	0.04557572546951481300	0x3D3AAD9C
0.01798263781141849800	0x3C935053	-0.04439861428454281600	0xBD35DB52
-0.04729340292397275100	0xBD41B6BA	0.02271080199440517200	0x3CBA0C00
0.05024398869276659700	0x3D4DCCA4	0.01834775875269514100	0x3C964E09
-0.02642631347289005300	0xBCD87BFF	-0.04797416229361240600	0xBD44808E
-0.01603054065258762200	0xBC83527A	0.05583799899418706600	0x3D64B662
0.04849030949584678300	0x3D469DC6	-0.02830708905131470300	0xBCE7E444
-0.05614414247959793900	0xBD65F766	-0.01011274272237247200	0xBC25AFEA
0.03283272209976807000	0x3D067B9A	0.04536038395304136500	0x3D39CBCF
0.00222092632413756990	0x3B118CF5	-0.05210255655909128100	0xBD55697D
-0.03418508776413541800	0xBD0C05A9	0.03961980097422325400	0x3D22485F
0.04745482930757606600	0x3D425FFE	-0.00942131763074341610	0xBC1A5BDE
-0.04497230295761292500	0xBD3834E0	-0.01690890231179433000	0xBC8A8489
0.02662353908076174300	0x3CDA199B	0.04092344461324147500	0x3D279F57
-0.00125848431224854630	0xBAA4F3B9	-0.04824391308761198600	0xBD459B68
-0.02859261952426540500	0xBCEA3B11	0.04437005703253087800	0x3D35BD60
0.04927823859606867600	0x3D49D7FA	-0.01918260854124627700	0xBC9D24D8
-0.05449965149535739700	0xBD5F3B06	-0.01117794502916789200	0xBC3723B3
0.03707757964080387500	0x3D17DEA8	0.04284897559989312600	0x3D2F8268
-0.00774631073293787120	0xBBFDD4C3	-0.05382719606866343000	0xBD5C79E7
-0.02366470930228831100	0xBCC1DC7E	0.04972813843066245500	0x3D4BAFBB
0.04271671123173251300	0x3D2EF7B7	-0.02708212729471786600	0xBCDDDB56
-0.04987311925822764100	0xBD4C47C1	0.00486020556753754670	0x3B9F425B
0.04446675780134331400	0x3D3622C6	0.02008187415283223300	0x3CA482BE
-0.03267888143166210200	0xBD05DA4A	-0.03613982383364688200	0xBD14075A
0.01208865089388950200	0x3C460F7A	0.05086095472046173200	0x3D505393
0.01221648314454115500	0x3C4827A4	-0.05078787940804543200	0xBD5006F3
-0.03733440350551010800	0xBD18EBF5	0.04205604780254416200	0x3D2C42F6
0.05189791443009581000	0x3D5492E8	-0.01723745874840428000	0xBC8D3592
-0.05409812976647190200	0xBD5D9600	-0.00647279243258912320	0xBBD419B7
0.04300938737659921300	0x3D302A9C	0.03014016583304679800	0x3CF6E882
-0.02767979644312128600	0xBCE2C0BD	-0.04075226184880241500	0xBD26EBD7
0.00990845929499195590	0x3C225717	0.04925653090809076200	0x3D49C137
0.00691702712582973820	0x3BE2A83A	-0.04830880114326247000	0xBD45DF73
-0.02598827994383596700	0xBCD4E55F	0.04654065847926761700	0x3D3EA16A
0.04232736015237326100	0x3D2D5F74	-0.03227802599192099200	0xBD0435F6
-0.05349508820635693500	0xBD5B1DAA	0.01560385632115274100	0x3C7FA751
0.05359654620603647400	0x3D5B880D	0.00793694623628355550	0x3C0209F7
-0.04661758100017543400	0xBD3EF213	-0.02301733478169583000	0xBCBC8ED9
0.03497327252799305900	0x3D0F4022	0.03687678976240747800	0x3D170C1D
-0.02431409180024535600	0xBCC72E58	-0.04208507967142476700	0xBD2C6167
0.01183921013101968400	0x3C41F93F	0.05045757116512431700	0x3D4EAC99
0.00220134913759506340	0x3B104482	-0.05175801123235324700	0xBD540035
-0.01928589496979953000	0xBC9DFD74	0.05239916045951571700	0x3D56A080
0.03344478538699637700	0x3D08FD66	-0.04172593640852191600	0xBD2AE8D0
-0.04313174693645379500	0xBD30AAEA	0.03193768230944442300	0x3D02D116
0.04659829670038003600	0x3D3EDDD8	-0.01791240764326600500	0xBC92BD0A
-0.04898393007294320900	0xBD48A35F	0.01083838756565048100	0x3C31937E
0.05072182792590153300	0x3D4FC1B1	0.00058379394883869694	0x3A1909BF
-0.05239203926206603000	0xBD569908	-0.00922539123322500130	0xBC172618
0.04946710713648313400	0x3D4A9E05	0.02384546589614853000	0x3CC35791
-0.04302649390852408800	0xBD303C8C	-0.03169250242176242100	0xBD01CFFF
0.03428035736691531500	0x3D0C698F	0.03992848572426990100	0x3D238C0D
-0.02807511008648117000	0xBCE5FDC5	-0.04038277551278437300	0xBD256868
0.02327956882934523200	0x3CBEB4CB	0.04569971508503281600	0x3D3B2F9F
-0.01877565397191462800	0xBC99CF66	-0.04780447300214949600	0xBD43CE9F

0.01120153320372547700	0x3C3786A2	0.05422972618612293500	0x3D5E1FFD
-0.00303835913195140640	0xBB471F35	-0.05288561798619730700	0xBD589E96
-0.00386253014352839610	0xBB7D2280	0.05320395312371338500	0x3D59EC63
0.00688275397233057380	0x3BE188B9	-0.04856155775486344800	0xBD46E87B
-0.00896147098634780640	0xBC12D322	0.05085211039134530200	0x3D504A4D
0.01182827042666919500	0x3C41CB5C	-0.05001795882188644200	0xBD4CDFA1
-0.01691476735486036100	0xBC8A90D6	0.05277777741610527300	0x3D582D82
0.02086903262645336100	0x3CAAF588	-0.04829604984230138200	0xBD45D214
-0.02228483309691757500	0xBCB68EAE	0.04769750677275309100	0x3D435E75
0.02088927530537848900	0x3CAB1FFC	-0.04434635311477102400	0xBD35A485
-0.02017936419031707600	0xBCA54F31	0.04831509277362221200	0x3D45E60B
0.02106053726386602700	0x3CAC8725	-0.04796088481202302100	0xBD4472A1
-0.02281117964313359900	0xBCBADE82	0.05037171555535002700	0x3D4E5292
0.02214184796686876800	0x3CB562D2	-0.04641061191311671200	0xBD3E190D
-0.01880943912437827600	0xBC9A1640	0.04803468208521247100	0x3D44C003
0.01433182986545940600	0x3C6AD00D	-0.04745620752289653900	0xBD426170
-0.01147170704193271700	0xBC3BF3D3	0.05286480458803193700	0x3D5888C3
0.00972159650077130890	0x3C1F4754	-0.05210848012789911400	0xBD556FB3
-0.00696704409488877950	0xBBE44BCD	0.05356645174576205000	0x3D5B687E
0.00116792202488960240	0x3A9914F5	-0.04947609849651856500	0xBD4AA773
0.00649182239865687270	0x3BD4B95A	0.05145706226563751700	0x3D52C4A3
-0.01354870708428605900	0xBC5DFB65	-0.04995112065752631300	0xBD4C998B
0.01873484076683663800	0x3C9979CF	0.05192634553205348300	0x3D54B0B8
-0.02352940820639888200	0xBCC0C0BE	-0.04588329666580298600	0xBD3BF01F
0.03007337829024991200	0x3CF65C72	0.04183453317516396000	0x3D2B5AAF
-0.03820608900408777700	0xBD1C7DFC	-0.03264973002860437100	0xBD05BBB9
0.04558236901813005100	0x3D3AB494	0.02889436610089189300	0x3CECB3E0
-0.04962948641496651300	0xBD4B4849	-0.01971313492162373200	0xBCA17D70
0.05070510212225298700	0x3D4FB027	0.01236852874879674500	0x3C4AA55E
-0.05035447394724338500	0xBD4E407E	0.00268406504989244800	0x3B2FE723
0.04984794717534313900	0x3D4C2D5C	-0.01357143670949441700	0xBC5E5ABB
-0.04715472291419668700	0xBD41254F	0.02711366415882245400	0x3CDE1D79
0.04033087240247504300	0x3D2531FC	-0.03345416829979633300	0xBD09073C
-0.02833950613445981900	0xBCE82840	0.04336081150606927600	0x3D319B1B
0.01400691554994279800	0x3C657D43	-0.04786554942440658000	0xBD440EAA
0.00059920256417193537	0x3A1D13CD	0.05443085323236421900	0x3D5EF2E2
-0.01385666149332858000	0xBC63070C	-0.05067920051422147200	0xBD4F94FE
0.027303164045396219700	0x3CDFAAE2	0.04497957308754020600	0x3D383C80
-0.04000335393748381100	0xBD23DA8E	-0.02969070452584250000	0xBCF339EB
0.05033817126050097600	0x3D4E2F65	0.01699114133166276800	0x3C8B3101
-0.05372451425438793500	0xBD5C0E3C	0.00122783920226510950	0x3AA0EF72
0.04940339802193081900	0x3D4A5B37	-0.01562000778103694000	0xBC7FEB0F
-0.03760248958997827700	0xBD1A0511	0.03483968470206921100	0x3D0EB40E
0.02225474197539023900	0x3CB64F93	-0.04622661241018771000	0xBD3D581D
-0.00407660007593337120	0xBB859500	0.05485323513047975900	0x3D60ADC9
-0.01485140732173249200	0xBC735351	-0.04884690277206363300	0xBD4813B0
0.03413433922575447000	0x3D0BD072	0.03870555632771408700	0x3D1E89B7
-0.04835144981079538700	0xBD460C2B	-0.01823775759764461100	0xBC956759
0.05397920012014859000	0x3D5D194B	-0.00009546126665833918	0xB8C83260
-0.04688719067975647600	0xBD400CC8	0.02350298850955787700	0x3CC08956
0.03022073987508730500	0x3CF7917C	-0.03963166509196780500	0xBD2254D0
-0.00699404728322461110	0xBBE52E52	0.05321920442205650000	0x3D59FC61
-0.01610334081861418800	0xBC83EB27	-0.04999979724975129500	0xBD4CCC96
0.03670753342788145300	0x3D165AA3	0.03782823773936328700	0x3D1AF1C8
-0.04913873373837610000	0xBD4945B2	-0.01090425056507899300	0xBC32A7BD
0.05106277470283324100	0x3D512733	-0.01398513209201299700	0xBC6521E5
-0.03780838143111656100	0xBD1ADCF6	0.03866306179624153700	0x3D1E5D28

0.01311292057269257900	0x3C56D793	-0.04831950876046564600	0xBD45EAAD
0.01757855842722016000	0x3C9000E8	0.04951750086115253700	0x3D4AD2DC
-0.04162092430622729700	0xBD2A7AB3	-0.03218552628384951900	0xBD03D4F8
0.05248789269400407800	0x3D56FD8B	0.00828207846190401850	0x3C07B18E
-0.04479420515680258100	0xBD377A20	0.02446784146046033400	0x3CC870C8
0.02359122815087132100	0x3CC14264	-0.04567645359983575600	0xBD3B173B
0.00649288175216052990	0x3BD4C23D	0.05446089323384031800	0x3D5F1262
-0.03374621786427052500	0xBD0A3979	-0.03753690063106476800	0xBD19C04B
0.05069267982762641600	0x3D4FA320	0.00981631870775341760	0x3C20D49F
-0.04714214936730638800	0xBD411820	0.02562093264083432200	0x3CD1E2FD
0.02459179163540091100	0x3CC974B9	-0.04569740181415429100	0xBD3B2D32
0.01119400211324224700	0x3C37670C	0.05079404577728204700	0x3D500D6A
-0.04164893922512245100	0xBD2A9813	-0.03022592342961229900	0xBCF79C5B
0.05387259174635596100	0x3D5CA981	0.00040996734414198185	0x39D6F0E2
-0.03849620911991961200	0xBD1DAE33	0.03464428380756409700	0x3D0DE72A
0.00538748221545992580	0x3BB08979	-0.05007947864968854300	0xBD4D2023
0.03128193949938498600	0x3D00217D	0.04496751170063533600	0x3D382FDA
-0.05010665213613646500	0xBD4D3CA2	-0.01157632879753084700	0xBC3DAAA4
0.04398629724940807100	0x3D342AF9	-0.02522511818183868100	0xBCCEA4E8
-0.01301815307628820600	0xBC554A17	0.05268718667223794300	0x3D57CE84
-0.02392623485217155300	0xBCC400F3	-0.04564673481371141900	0xBD3AF812
0.04928688846541889900	0x3D49E10C	0.01519232017778804700	0x3C78E935
-0.04462956792244229800	0xBD36CD7E	0.02855529797352697800	0x3CE9ECCC
0.01387142583260403800	0x3C6344FA	-0.05031296575829250600	0xBD4E14F7
0.02821097732715668500	0x3CE71AB5	0.04390453732194468700	0x3D33D53E
-0.05142994703505448400	0xBD52A835	-0.00522621070720999480	0xBBAB40A2
0.04178067368690766000	0x3D2B2236	-0.03270335617082900700	0xBD05F3F4
-0.00104023199846248870	0xBA885864	0.05230383527681329400	0x3D563C8B
-0.03966546414453149500	0xBD227840	-0.03182985122485378100	0xBD026004
0.05330043155635322300	0x3D5A518D	-0.00745199381537235000	0xBBF42FDA
-0.02528923363839003300	0xBCCF2B5D	0.04552746861735913100	0x3D3A7B02
-0.02074999644371988300	0xBCA9FBE5	-0.04607977588483885100	0xBD3CBE25
0.05224557336629320100	0x3D55FF74	0.01491979867732255200	0x3C74722B
-0.04021179210078749300	0xBD24B51E	0.03246066378518874800	0x3D04F579
-0.00303994837860427580	0xBB4739DE	-0.05050096383874456300	0xBD4EDA19
0.04535179997021410200	0x3D39C2CF	0.03041854830709644600	0x3CF93051
-0.04723403703971434900	0xBD41787A	0.01988425551791794100	0x3CA2E44E
0.00976363017472098830	0x3C1FF7A2	-0.04991949063693427300	0xBD4C7861
0.03805874208439968100	0x3D1BE37B	0.03927721421810539300	0x3D20E124
-0.04959351166149891100	0xBD4B2290	0.01130343402335871400	0x3C393209
0.01698717904474880000	0x3C8B28B2	-0.04835156275315905700	0xBD460C49
0.03352106893895905700	0x3D094D63	0.04310930037519757100	0x3D309360
-0.04995982084772201300	0xBD4CA2AB	0.00797527025561854850	0x3C02AAB5
0.01898795469776467400	0x3C9B8CA0	-0.04806392091504502900	0xBD44DEAC
0.03307632431908371500	0x3D077B0A	0.04310634638291079700	0x3D309047
-0.04950648543660485900	0xBD4AC74F	0.01014967968591010600	0x3C264AD7
0.01592133959207071200	0x3C826D78	-0.04958635580798009800	0xBD4B1B10
0.03678346206740194800	0x3D16AA41	0.03928670429361257700	0x3D20EB18
-0.04769349801401055700	0xBD435A41	0.01765838956374531800	0x3C90A853
0.00743495676145223060	0x3BF3A0F0	-0.05178315059196503300	0xBD541A91
0.04342345001036117300	0x3D31DCC9	0.03048832871388100800	0x3CF9C2A8
-0.04235682977580610500	0xBD2D7E5A	0.02963531173664230400	0x3CF2C5C0
-0.00673081289560078290	0xBBDC8E26	-0.05175097870544859800	0xBD53F8D5
0.04995739060237051200	0x3D4CA01E	0.0151019900882627700	0x3C776E56
-0.03030470490764962400	0xBCF84192	0.04346065158003413500	0x3D3203CB
-0.02522016446762276700	0xBCCE9A84	-0.04498830149286871200	0xBD3845A7
0.05103891801040826000	0x3D510E2F	-0.00714968262801300450	0xBBEA47E2

-0.00910696993172641080	0xBC153566	0.05350210320740157700	0x3D5B2505
-0.04298156510869264500	0xBD300D70	-0.02690141248723259400	0xBCDC6059
0.03995335274495008500	0x3D23A620	-0.03237927703266319700	0xBD04A021
0.01941824489212287000	0x3C9F1302	0.05122078301529176700	0x3D51CCE2
-0.05026324479124939100	0xBD4DE0D5	0.00325351648242110750	0x3B5538F2
0.01276109524429091000	0x3C5113E9	-0.05019301709709889100	0xBD4D9731
0.04529511965280370900	0x3D398760	0.02916807073378446800	0x3CEEF1E0
-0.03600994206163182100	0xBD137F29	0.03676308826076356300	0x3D1694E4
-0.02433593132977242300	0xBCC75C25	-0.04596850243425980300	0xBD3C4977
0.05092543675290797700	0x3D509730	-0.00998041281354339340	0xBC2384E2
0.00168959519427577420	0x3ADD7568	0.05362797501710228600	0x3D5BA901
-0.05014995434525158100	0xBD4D6A09	-0.01229186642653223300	0xBC4963D3
0.02287656166817934900	0x3CBB67A0	-0.04499432247930081800	0xBD384BF7
0.04310082763152076800	0x3D308A7E	0.03391850619872956900	0x3D0AEE21
-0.03844917491753171300	0xBD1D7CE1	0.03412543636769184400	0x3D0BC71D
-0.02663631634424570800	0xBCDA3467	-0.04353966849865920800	0xBD3256A6
0.05060717758238822400	0x3D4F4978	-0.01620139747833908600	0xBC84B8CB
0.01175512784558618200	0x3C409894	0.05128378312495081300	0x3D520EF1
-0.05241220795854208800	0xBD56AE2E	0.00373484468539920290	0x3B74C44B
0.00588104856166831930	0x3BC0B5CF	-0.04972058809601692700	0xBD4BA7D0
0.05289201967945363100	0x3D58A54D	0.01125789980986203300	0x3C38730D
-0.01674074528173477900	0xBC8923E3	0.05022686858042660400	0x3D4DBAB0
-0.04655108445560399200	0xBD3EAC59	-0.01914456501998240700	0xBC9CD510
0.02777536978434348700	0x3CE3892C	-0.04479896666406345300	0xBD377F1F
0.04345646599788113200	0x3D31FF68	0.02950987755839773500	0x3CF1BEB2
-0.03125555832396601600	0xBD0005D4	0.04363817698499406600	0x3D32BDF1
-0.03730110583793629100	0xBD18C90B	-0.03305434161841314100	0xBD0763FD
0.03622843776436533000	0x3D146445	-0.03792491813931590100	0xBD1B5728
0.03728998459923101700	0x3D18BD62	0.03902845381325741700	0x3D1FDC4C
-0.03535278973678929900	0xBD10CE16	0.03769162717133023300	0x3D1A6289
-0.03507394050390655300	0xBD0FA9B1	-0.03785620031837750400	0xBD1B0F1A
0.03780728226317335600	0x3D1ADBCF	-0.03431025528515153200	0xBD0C88E9
0.03887263043911790700	0x3D1F38E8	0.03891548117655295500	0x3D1F65D6
-0.03471533752162206400	0xBD0E31AB	0.03777589940786020600	0x3D1ABAE6
-0.03918062019855552600	0xBD207BDB	-0.03305495203990573700	0xBD0764A1
0.03434441905009066900	0x3D0CACBB	-0.03879615005776731300	0xBD1EE8B6
0.04463134681874154200	0x3D36CF5B	0.02993115270285708400	0x3CF5322D
-0.02648515135625938800	0xBCD8F763	0.04605613018090151000	0x3D3CA55A
-0.04553662782823105600	0xBD3A849D	-0.02020449919007237500	0xBCA583E7
0.01986345603407316600	0x3CA2B8AF	-0.04872440739958267700	0xBD47933E
0.05092523648761579400	0x3D5096FB	0.01292318541156883700	0x3C53BBC4
-0.00473883933948695580	0xBB9B4843	0.05422748591840231800	0x3D5E1DA3
-0.04984340170537033400	0xBD4C2898	0.00171458781073978570	0x3AE0BC05
-0.00812115229400232550	0xBC050E94	-0.05115989120226457900	0xBD518D08
0.05042788812713060900	0x3D4E8D79	-0.01424039130127610500	0xBC695087
0.02711366415882211400	0x3CDE1D79	0.04715472291419638100	0x3D41254F
-0.04007177276440088800	0xBD24224C	0.03260758745252100000	0x3D058F88
-0.03911271205751452900	0xBD2034A6	-0.03182723687663904800	0xBD025D46
0.02764953128026875400	0x3CE28145	-0.04426614174083071800	0xBD355069
0.05132273198470854000	0x3D5237C8	0.01475367045440831100	0x3C71B961
-0.00267314477413112780	0xBB2F2FED	0.05390260712334577600	0x3D5CC8FA
-0.04898384970689637100	0xBD48A34A	0.01123799696659809900	0x3C381F93
-0.02017666115518874600	0xBCA54986	-0.04740715760727613700	0xBD422E01
0.04041130216235907400	0x3D258652	-0.03202868434712881400	0xBD033082
0.04521693639552919200	0x3D393564	0.03166651673101447000	0x3D01B4BF
-0.01405889451085469600	0xBC665747	0.04980993278183770700	0x3D4C0580
-0.05186474957230918100	0xBD547021	0.00014410713721187411	0x39171B77

-0.01324452158926540600	0xBC58FF8C	-0.04768470417403185300	0xBD435109
0.04511167513629649200	0x3D38C705	-0.02971264415107513500	0xBCF367EE
0.04294899001637857800	0x3D2FEB47	0.03106746523835679500	0x3CFE8132
-0.01276561922846293500	0xBC5126E3	0.05256735291319674500	0x3D5750DD
-0.04932837266599803000	0xBD4A0C8C	0.00491982010576139970	0x3BA13671
-0.02181910748069341600	0xBCB2BDFC	-0.04674454226909386500	0xBD3F7734
0.03648278978864211200	0x3D156EFA	-0.03623827229291605400	0xBD146E95
0.05191332568552543800	0x3D54A311	0.01904379849108466300	0x3C9C01BD
0.00403486894407134760	0x3B8436EF	0.05222559271467275300	0x3D55EA80
-0.04563330104737915000	0xBD3AE9FB	0.02567404846081946000	0x3CD25261
-0.03794166861477880900	0xBD1B68B9	-0.03103853476068265500	0xBCFE4486
0.01380229196773455500	0x3C622302	-0.05080514417784633800	0xBD50190E
0.05175091115729498600	0x3D53F8C3	-0.00947988119776727900	0xBC1B5180
0.03554013314015829600	0x3D119287	0.04252648680567026900	0x3D2E3040
-0.01903940608879601700	0xBC9BF887	0.04774102221130445400	0x3D438C17
-0.05140018552816685200	0xBD528900	0.00492605533493137380	0x3BA16ABF
-0.02548668533967505000	0xBCD0C974	-0.04190496467268454300	0xBD2BA48A
0.02737120589513408400	0x3CE03994	-0.04578642653610596300	0xBD3B8A8C
0.05297100015959257900	0x3D58F81E	-0.00043972501536228742	0xB9E68AE4
0.02996795910202219200	0x3CF57F5D	0.04656456781283027000	0x3D3EBA7C
-0.02052647478611540500	0xBCA82723	0.04707925927562169700	0x3D40D62E
-0.05101570635749121800	0xBD50F5D8	0.00527256944759098640	0x3BACC584
-0.03002278126413595500	0xBCF5F255	-0.03895655233269207400	0xBD1F90E7
0.02025225670208201000	0x3CA5E80F	-0.04857234781137968700	0xBD46F3CC
0.05179435444192130600	0x3D542651	-0.01315441886813207900	0xBC5785A1
0.04131532393984619500	0x3D293A41	0.03617519785712731300	0x3D142C71
-0.00143803152453307800	0xBABC7C54	0.05317862057987502600	0x3D59D1D3
-0.04316484553231368000	0xBD30CD9E	0.02664283681763262800	0x3CDA4214
-0.04675013485220972500	0xBD3F7D11	-0.01820222353764373200	0xBC951CD4
-0.00968216195535655240	0xBC1EA1EE	-0.04897459895522853600	0xBD489996
0.03407891873999544700	0x3D0B9656	-0.04146070962492132100	0xBD29D2B4
0.05347078141730311800	0x3D5B042D	0.00069496285749647761	0x3A362E2A
0.03712062588771696000	0x3D180BCC	0.04170943412889235900	0x3D2AD782
-0.00600293999583638350	0xBBC4B44F	0.05145582937005686200	0x3D52C359
-0.04351951690875362200	0xBD324185	0.02814578178766382500	0x3CE691FB
-0.04662877882287871900	0xBD3EFDD1	-0.01371444408308125500	0xBC60B28C
-0.01819895419266943200	0xBC9515F9	-0.04745340325826182700	0xBD425E7F
0.02186634968228541600	0x3CB3210F	-0.04716841432921561900	0xBD4133AA
0.05184418570825791900	0x3D545A91	-0.01574056190296646200	0xBC80F259
0.05069896922882782100	0x3D4FA9B8	0.02312616080181570700	0x3CBD7313
0.01860116094861679100	0x3C986176	0.04987457459234592700	0x3D4C4948
-0.02009576255501502000	0xBCA49FDE	0.04937189396261262200	0x3D4A3A2E
-0.04499190348243822800	0xBD38496E	0.01890275517446336100	0x3C9AD9F3
-0.04597676364537341100	0xBD3C5221	-0.02026130813638766700	0xBCA5FB0A
-0.01919756502900285500	0xBC9D4436	-0.04536927896587269300	0xBD39D523
0.01998441389041737100	0x3CA3B65A	-0.04856809858755505000	0xBD46EF57
0.04730786321766398300	0x3D41C5E3	-0.02702722264466234800	0xBCDD6831
0.05365201246702423100	0x3D5BC236	0.01058229958633005000	0x3C2D6161
0.03819412496976776900	0x3D1C7171	0.04127684168726850800	0x3D2911E7
0.00433133539040360480	0x3B8DEDDF	0.05205661042483370600	0x3D55394F
-0.02956723987694214600	0xBCF236FF	0.04311322907844612100	0x3D30977F
-0.04628221236970695600	0xBD3D926A	0.01523000251204908100	0x3C798742
-0.04446675780134435500	0xBD3622C6	-0.02008187415283139300	0xBCA482BE
-0.02465389572629979700	0xBCC9F6F7	-0.04362493608271355400	0xBD32B00F
0.00862025725325577840	0x3C0D3BFA	-0.04983824035969024900	0xBD4C232E
0.03806911737779103400	0x3D1BEE5C	-0.03979508160837047500	0xBD23002A
0.05280873218097661300	0x3D584DF8	-0.01298499796008619300	0xBC54BF07

0.05338090231934601600	0x3D5AA5EE	0.01900686427459261100	0x3C9BB448
0.03711583646461148100	0x3D1806C6	0.04144361412476758200	0x3D29C0C7
0.00791958882424471070	0x3C01C129	0.05228381568356207200	0x3D56278D
-0.01938705164321836300	0xBC9ED198	0.04909564217843118100	0x3D491883
-0.03871884509167323300	0xBD1E97A6	0.02880815800318106000	0x3CEBFF16
-0.04878844376609368900	0xBD47D664	0.00179691599152337110	0x3AEB867E
-0.04256426016033873500	0xBD2E57DC	-0.02228682946728947200	0xBCB692DE
-0.02279104866632010800	0xBCBAB44B	-0.04267657614195477500	0xBD2ECDA2
0.0000667283400689860	0x36DFE735	-0.05232923475603216300	0xBD56572D
0.02428440705541534000	0x3CC6F017	-0.04615058491175998800	0xBD3D0865
0.04615247758954020600	0x3D3D0A61	-0.03170963394924146400	0xBD01E1F6
0.05574040320292048700	0x3D64500C	-0.01214247713253489800	0xBC46F13D
0.05463785080814584400	0x3D5FCBF0	0.01293470775197092300	0x3C53EC18
0.04717341007442396600	0x3D4138E7	0.03390471570798482500	0x3D0ADFAB
0.02988390854490336300	0x3CF4CF19	0.04590013400439264800	0x3D3C01C7
0.00750357371775801140	0x3BF5E089	0.05296031563791973900	0x3D58ECEA
-0.01119241588406087000	0xBC376065	0.05125598807979939900	0x3D51F1CC
-0.02823170397826733900	0xBCE7462C	0.03869861888398309200	0x3D1E8271
-0.04216493979747053900	0xBD2CB524	0.02358158899404726500	0x3CC12E2D
-0.04581522260480482000	0xBD3BA8BE	0.00687704870968307990	0x3BE158DD
-0.04303423358984977800	0xBD3044AA	-0.01361139698879244900	0xBC5F0256
-0.03751575588085231900	0xBD19AA1F	-0.03005055616192341500	0xBCF62C95
-0.02443141983902032100	0xBCC82466	-0.04036828900031651200	0xBD255938
-0.00766572928910746330	0xBBFB30CC	-0.04954483481306189200	0xBD4AEF86
0.00639717937180264880	0x3BD19F6E	-0.05297348159107299900	0xBD58FAB8
0.02199531324616442100	0x3CB42F83	-0.04847185476456500300	0xBD468A6C
0.03780813757479674400	0x3D1ADCB4	-0.04313739921126936300	0xBD30B0D7
0.04711968658937240600	0x3D410092	-0.03535277881207665700	0xBD10CE13
0.05418412638564015100	0x3D5DF02C	-0.02186627949571650100	0xBCB320E9
0.06096589242020368500	0x3D79B75F	-0.00981461383708665330	0xBC20CD79
0.06119257252966656800	0x3D7AA510	0.00040293571599511405	0x39D3411D
0.05830412456469916100	0x3D6ED04E	0.01375588317996242500	0x3C61605B
0.05683057761284828600	0x3D68C72E	0.02458568296076824000	0x3CC967EA
0.05100553607906800600	0x3D50EB2E	0.03088860932019985700	0x3CFD0A1B
0.04239364199166555800	0x3D2DA4F4	0.03897800186167867100	0x3D1FA765
0.03706423628595961800	0x3D17D0AB	0.04530029942619825300	0x3D398CCE
0.02997503225332343400	0x3CF58E32	0.04624561552635304100	0x3D3D6C0A
0.02027501842208167700	0x3CA617CB	0.04851219878725718200	0x3D46B4BA
0.01472835577689001600	0x3C714F33	0.05080573053999611100	0x3D5019AB
0.00952723994286559620	0x3C1C1823	0.04798942750888504600	0x3D44908F
0.00144495952383675650	0x3ABD64CB	0.04613450126892940800	0x3D3CF787
-0.00275005543824105800	0xBB343A46	0.04619968646879182800	0x3D3D3BE1
-0.00506658962317605220	0xBBA605A2	0.04190954566417400700	0x3D2BA958
-0.01068458166550736500	0xBC2F0E62	0.03789237323969435500	0x3D1B3508
-0.01348427577160955600	0xBC5CED26	0.03724645920352089000	0x3D188FBE
-0.01328797195260715500	0xBC59B5CB	0.03321586156781437800	0x3D080D5A
-0.01659421231615529300	0xBC87F095	0.02841967940010914400	0x3CE8D063
-0.01856818031735184600	0xBC981C4B	0.02782024490254483800	0x3CE3E748
-0.01674385821482084500	0xBC892A6A	0.02496995125611006800	0x3CCC8DC8
-0.01818887894174009800	0xBC9500D8	0.02016122887369326700	0x3CA52929
-0.01991119238467864100	0xBCA31CCC	0.01974636944089512600	0x3CA1C323
-0.01735407771020728800	0xBC8E2A23	0.01836876426071976800	0x3C967A17
-0.01735559854464986000	0xBC8E2D54	0.01392767359470093200	0x3C6430E5
-0.01916117377355599400	0xBC9CF7E4	0.01351119642148744400	0x3C5D5E10
-0.01658520043131394100	0xBC87DDAF	0.01352320799727291900	0x3C5D9072
-0.01545548191411885500	0xBC7D38FD	0.00965777645567915570	0x3C1E3BA6
-0.01741876932806955800	0xBC8EB1CE	0.00896756844624568670	0x3C12ECB5

-0.01532678576633102900	0xBC7B1D32	0.01009433952830352700	0x3C2562BA
-0.01330946737762461800	0xBC5A0FF3	0.00695831068652483580	0x3BE4028A
-0.01531269728722198600	0xBC7AE21B	0.00577527612448476560	0x3BBB3E87
-0.01402054113701791200	0xBC65B669	0.00765576762919400150	0x3BFADD3B
-0.01134539658114676300	0xBC39E20A	0.00538527742212680220	0x3BB076FB
-0.01316386777485822200	0xBC57AD43	0.00360480576732873350	0x3B6C3E9A
-0.01282944370145244800	0xBC523296	0.00584884196175556110	0x3BBFA7A4
-0.00974802599931605570	0xBC1FB62F	0.00455408126517997760	0x3B953A67
-0.01112478682558425800	0xBC3644BC	0.00220027315778208510	0x3B103275
-0.01176986343895761700	0xBC40D662	0.00442389885570226330	0x3B90F65A
-0.00856516242314755810	0xBC0C54E5	0.00416464281535199300	0x3B88778E
-0.00926884903967494130	0xBC17DC5E	0.00137839795676486930	0x3AB4AB5C
-0.01079615398177362900	0xBC30E25A	0.00323226682348661580	0x3B53D470
-0.00777120655291156470	0xBBFEA59A	0.00399439623922258430	0x3B82E36C
-0.00763769050699527730	0xBBFA4597	0.00100711619841217730	0x3A840136
-0.00984884667961802990	0xBC215D0E	0.00220283684152675070	0x3B105D78
-0.00730204911956849540	0xBBEF4607	0.00388426110162791520	0x3B7E8F16
-0.00626139416975946080	0xBBCD2C61	0.00098345882102737064	0x3A80E766
-0.00887961783034075730	0xBC117BD1	0.00131739033045263690	0x3AACAC48
-0.00707405950667756250	0xBBE7CD83	0.00372657247738308020	0x3B743982
-0.00516366851807407120	0xBBA933FD	0.00121741742243231060	0x3A9F91C0
-0.00786254525284381040	0xBC00D1E7	0.00058923817474685952	0x3A1A771A
-0.00699548937476807040	0xBBE53A6B	0.00345656325531414150	0x3B628782
-0.00435996223011012910	0xBB8EDE03	0.00162281204946453200	0x3AD4B489
-0.00679735733312269480	0xBBDEBC5D	0.00004592962733608523	0x3840A48F
-0.00697476551629100120	0xBBE48C92	0.00304636527051630690	0x3B47A587
-0.00385323463867482190	0xBB7C868C	0.00211411472716877250	0x3B0A8CF5
-0.00570781029901190960	0BBBBB0895	-0.00028428107161742656	0xB9950B8F
-0.00692761356298510300	0xBBE30108	0.00250001319679060960	0x3B23D742
-0.00363002460701224720	0xBB6DE5B4	0.00260765777244865130	0x3B2AE53C
-0.00463692872647112910	0xBB97F160	-0.00038258432847389733	0xB9C89599
-0.00678351387828494530	0xBBDE483D	0.00184824656504436160	0x3AF240DD
-0.00365821639820931980	0xBB6FBEAF	0.00302566693497428960	0x3B464A44
-0.00364020576921791040	0xBB6E9084	-0.00024658109828053194	0xB981478E
-0.00649127289048855890	0xBBD4B4BE	0.00114241990547112080	0x3A95BD40
-0.00388714384353505560	0xBB7EBF73	0.00330171414073178030	0x3B586192
-0.00277763115187557850	0xBB3608EA	0.00010585957486870768	0x38DE00ED
-0.00602321299664487510	0xBBC55E5F	0.00044732520244834286	0x39EA86F8
-0.00425017506195825200	0xBB8B450D	0.00338636596491700710	0x3B5DEDCB
-0.00210536434916441980	0xBB09FA27	0.00063578226471910405	0x3A26AAA0
-0.00537746294847804130	0BBBB0356D	-0.00016686732356031896	0xB92EF91B
-0.00466955847018796570	0xBB990318	0.00325199667448227780	0x3B551F73
-0.00166786289130457330	0xBADA9C31	0.00128519823995148310	0x3AA87418
-0.00457796171927770100	0xBB9602B9	-0.00063305281300373155	0xBA25F374
-0.00506303574739457900	0xBBA5E7D2	0.00289594935237795550	0x3B3DC9F7
-0.00149124063289468200	0xBAC375BB	0.00198167702881884250	0x3B01DF06
-0.00367200606646092290	0xBB70A609	-0.00089534364877147539	0xBA6AB57E
-0.00535152510259262300	0xBBAF5BD8	0.00234147334392315140	0x3B197367
-0.00157853660900103490	0xBACEE6E6	0.00264495463334651210	0x3B2D56F9
-0.00272542920830484360	0xBB329D1D	-0.00091618406316255202	0xBA702C12
-0.00546705134322509390	0BBBB324F3	0.00163613886465773590	0x3AD673B5
-0.001907414536637113540	0BAFA0236	0.00319486167264537320	0x3B5160E2
-0.00181575874349304950	0xBAEDFEC0	-0.00068171507408799372	0xBA32B51F
-0.00536005454597082360	0BBFAFA365	0.00084771777369892914	0x3A5E3960
-0.00243059437961607850	0xBB1F4A9B	0.00355974481449883260	0x3B694A9B
-0.00102393529919905970	0xBA863591	-0.00020480186752279951	0xB956C015
-0.00500525038242014690	0xBBA40315	0.00005780370793273049	0x38727242

-0.00307905904916605300	0xBB49CA09	0.00368449230747163080	0x3B717785
-0.00042535354587646605	0xB9DF01FC	0.00047466509653947383	0x39F8DC78
-0.00440533981874041780	0xBB905AAB	-0.00064629818496069076	0xBA296C56
-0.00376780577245703140	0xBB76ED4A	0.00353729237907209410	0x3B67D1EB
-0.00008109424879259408	0xB8AA1124	0.00129233220997643880	0x3AA96379
-0.00359206387159877140	0xBB6B68D4	-0.00118067503407080190	0xBA9AC0E1
-0.00440365020672655190	0xBB904C7E	0.00311435518390244800	0x3B4C1A35
-0.00003023729789808469	0xB7FDA61A	0.00216466693143469370	0x3B0DDD15
-0.00262435291562209460	0xBB2BFD55	-0.00147403056770454750	0xBAC13442
-0.00489436894096521770	0xBBA060F1	0.00244200885189165130	0x3B200A1C