



Publication Year	2016
Acceptance in OA	2020-05-20T10:40:15Z
Title	Commissioning and first observations with Wide FastCam at the Telescopio Carlos Sánchez
Authors	Velasco, Sergio, Etxegarai, Urtats, Oscoz, Alejandro, López, Roberto L., Puga, Marta, Murga, Gaizka, Pérez-Garrido, Antonio, Pallé, Enric, RICCI, DAVIDE, Ayuso, Ismael, Hernández-Sánchez, Mónica, Truant, Nicola
Publisher's version (DOI)	10.1117/12.2233023
Handle	http://hdl.handle.net/20.500.12386/24992
Serie	PROCEEDINGS OF SPIE
Volume	9908

PROCEEDINGS OF SPIE

[SPIDigitalLibrary.org/conference-proceedings-of-spie](https://spiedigitallibrary.org/conference-proceedings-of-spie)

Commissioning and first observations with Wide FastCam at the Telescopio Carlos Sánchez

Velasco, Sergio, Etxegarai, Urtats, Oscoz, Alejandro, López, Roberto, Puga, Marta, et al.

Sergio Velasco, Urtats Etxegarai, Alejandro Oscoz, Roberto L. López, Marta Puga, Gaizka Murga, Antonio Pérez-Garrido, Enric Pallé, Davide Ricci, Ismael Ayuso, Mónica Hernández-Sánchez, Nicola Truant, "Commissioning and first observations with Wide FastCam at the Telescopio Carlos Sánchez," Proc. SPIE 9908, Ground-based and Airborne Instrumentation for Astronomy VI, 99082O (9 August 2016); doi: 10.1117/12.2233023

SPIE.

Event: SPIE Astronomical Telescopes + Instrumentation, 2016, Edinburgh, United Kingdom

Commissioning and First Observations with Wide FastCam at the Telescopio Carlos Sánchez

Sergio Velasco^{a,b}, Urtats Etxegarai^c, Alejandro Oscoz^{a,b}, Roberto L. López^{a,b}, Marta Puga^{a,b}, Gaizka Murga^c, Antonio Pérez-Garrido^d, Enric Pallé^{a,b}, Davide Ricci^{a,b}, Ismael Ayuso^{a,b}, Mónica Hernández-Sánchez^b, and Nicola Truant^{a,b}

^aInstituto de Astrofísica de Canarias, c/Vía Láctea s/n, La Laguna, Tenerife E-38205, Spain.

^bDepartamento de Astrofísica, Universidad de La Laguna, La Laguna, Tenerife E-38205, Spain.

^cIDOM, Avenida Zarandoa 23, Bilbao, Vizcaya E-48015, Spain.

^dUniversidad Politécnica de Cartagena, Campus Muralla del Mar, Cartagena, Murcia E-30202, Spain.

ABSTRACT

The FastCam instrument platform, jointly developed by the IAC and the UPCT, allows, in real-time, acquisition, selection and storage of images with a resolution that reaches the diffraction limit of medium-sized telescopes. FastCam incorporates a specially designed software package to analyse series of tens of thousands of images in parallel with the data acquisition at the telescope. Wide FastCam is a new instrument that, using the same software for data acquisition, does not look for lucky imaging but fast observations in a much larger field of view. Here we describe the commissioning process and first observations with Wide FastCam at the Telescopio Carlos Sánchez (TCS) in the Observatorio del Teide.

Keywords: EMCCD, commissioning, Wide FastCam, TCS, exoplanet

1. INTRODUCTION

Wide-FastCam (WFC) is an adaptation of the FastCam platform (Oscoz et al. [1, 2008]) with the objective of obtaining wide field images ($8' \times 8'$ FoV, $0.5''/\text{px}$ and a $1k \times 1k$ Andor Ixon 888 EMCCD) at a high temporal resolution (8 fps) with real time processing capacity. The large field of view guarantees the presence of a photometric calibration star in the majority of the pointings of the telescope. These features make WFC a unique instrument in the world for the observation of transient phenomena: no other instrument can process in real time the tens of thousands of images obtained each night with such a FOV in the optical range.

An initial prototype, evolution of FastCam but with different optics and detector, was developed at the Instituto de Astrofísica de Canarias (IAC) as a test bed of the instrument we are presenting here. As a prototype, WFC was installed at the TCS on several occasions, helping to investigate and solve some opto-mechanical issues. Even in this initial phase, WFC provided quite valuable scientific data.

The final version is a much more compact and compensated instrument with a new optical design (see Murga et al. [2, 2014]). Manufactured to be installed at the Cassegrain focus of the TCS, its high versatility allows its installation as a visiting instrument in many other telescopes of the Observatorios de Canarias. WFC shares the same control system than FastCam, developed by the IAC and the UPCT (Cartagena, Spain) and unique in its capabilities among this kind of instruments, providing tens of thousands of images per night which can be analyzed in real time. Moreover, some semi-automated pipelines have been developed for the analysis of differential photometry in the data cubes being able to produce and offer via internet light curves in real time.

With the remotization of the TCS telescope, WFC was one of the first instruments at this telescope to offer to the astronomers the possibility of performing the observations through an internet connection from any point in the world.

Further author information:

S.V.: E-mail: svelasco@iac.es

Ground-based and Airborne Instrumentation for Astronomy VI, edited by Christopher J. Evans, Luc Simard, Hideki Takami
Proc. of SPIE Vol. 9908, 99082O · © 2016 SPIE · CCC code: 0277-786X/16/\$18 · doi: 10.1117/12.2233023

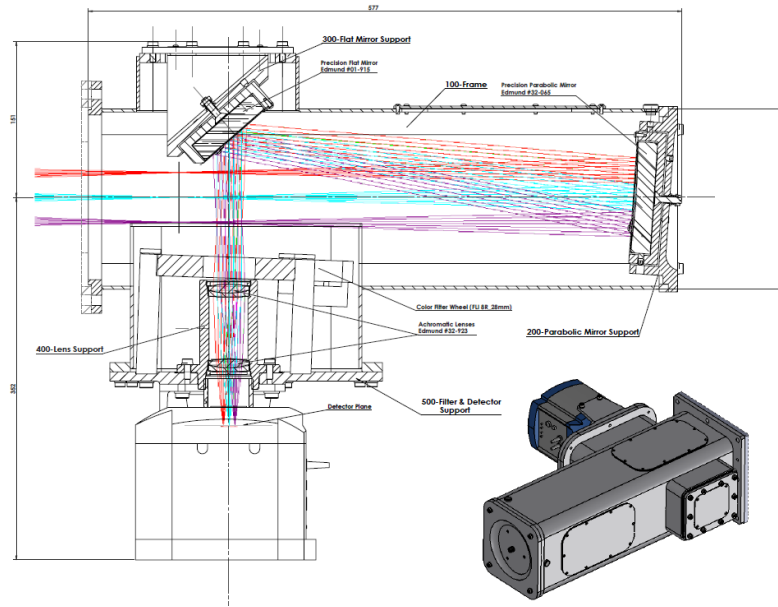


Figure 1. Section view of the instrument with the ray tracing superimposed.

2. INSTRUMENT

The main component of Wide FastCam is the $1k \times 1k$ Andors 888 EMCCD, with an E2V sensor reaching an 8 fps readout when used without binning or windowing regions. This detector has a pixel size of $13.3 \mu\text{m}$ meaning a total size of 13.6 mm, and hence a focal reduction of at least 3.6 is needed to render the desired 8×8 arc minutes field of view.

The focal reduction is achieved by a classical collimator-camera configuration, see figures 1 and 2. Due to space limitations in the distance below the telescopes Cassegrain focus the encapsulated design had to be done with some length restrictions.

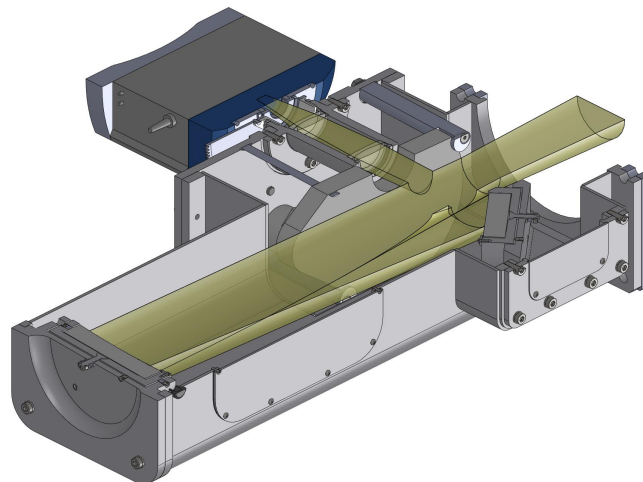


Figure 2. Section view of the instrument's 3D model.

The optical components can be aligned in a very simple way thanks to the positioning screws located out of

the structure. A filter wheel has been integrated within the instrument.

3. COMMISSIONING PLAN

The scientific validation and commissioning tests were focused on characterizing the behaviour of the EMCCD detector, studying its gain linearity, the dynamic and photometric ranges and its sensitivity besides of making several astrometric tests.

Since the develop of FastCam, the high optical spatial resolution group at the IAC has worked with EMCCDs, developing new instruments, such as AOLI (see Velasco et al. [3, 2015] and Mackay et al. [4, 2014]), and producing many very valuable science results (e.g. Velasco et al. [5, 2016], Femenía et al. [6, 2011] and Labadie et al. [7, 2011]). As a needed complement of these observations, along the years a huge amount of laboratory and telescope hours have been devoted to characterize the EMCCD detectors in use by these instruments. Once this know-how was settled, the natural step was to bring up a reliable method to calibrate and characterize them. WFC's commissioning followed this method, being the first EMCCD instrument in doing it and setting a precedent for other present and future instruments. The fundamentals of the method are:

- The high availability of on-sky calibration nights at the TCS, allowing a fully detailed commissioning with the equivalent of tens of night hours. The strength of our method comes from the use of natural stars with different atmospheric conditions, rather than calibrated light sources at the lab, becoming the EMCCD's commissioning of WFC unique.
- The gain linearity was measured with some standard stars with known and calibrated magnitudes in the optical bands. We selected stars within a range of magnitudes from 0^{th} to 14^{th} in the I and V bands and observed them varying the EM gain of the detector and along many different zenith altitudes. The results are compared with dome flats obtained with a similar procedure.
- The dynamic and photometric range are studied by selecting five stellar populated regions at different declination positions and visible during the whole night.
- The astrometric and sensitivity tests were performed with some selected stellar crowded regions.

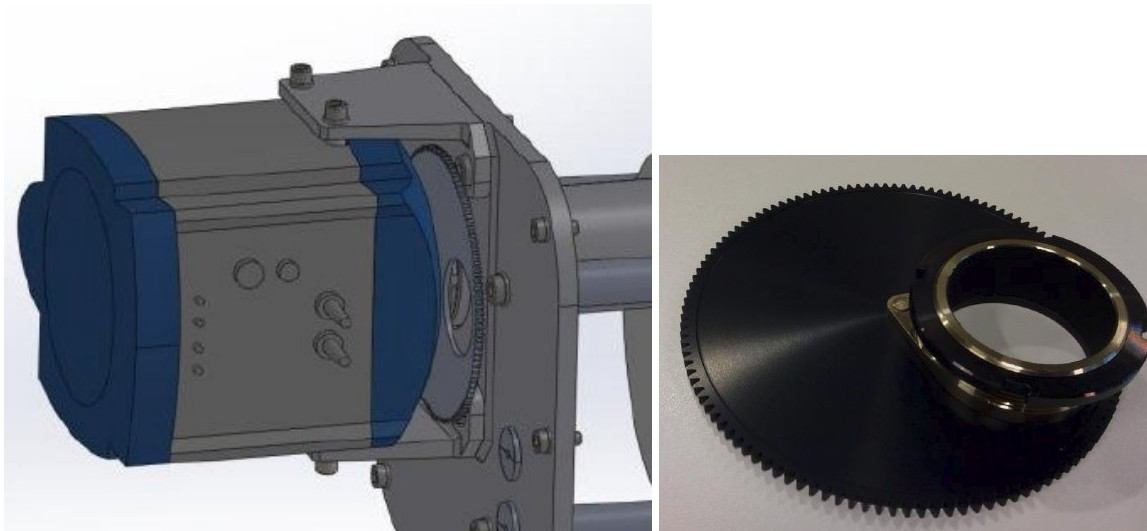


Figure 3. Scheme of the external shutter position at Wide FastCam (left) and external shutter finally designed for the instrument (right).

The Andor Ixon 888 lacks mechanical shutter and this affects the precision of the bias. To solve it, an external physical bias mechanism, see figure 3, was designed and tested during the commissioning.

4. FIRST LIGHT

The final encapsulated and compact concept of Wide FastCam saw first light at TCS in August 2014, as shown in figure 4.

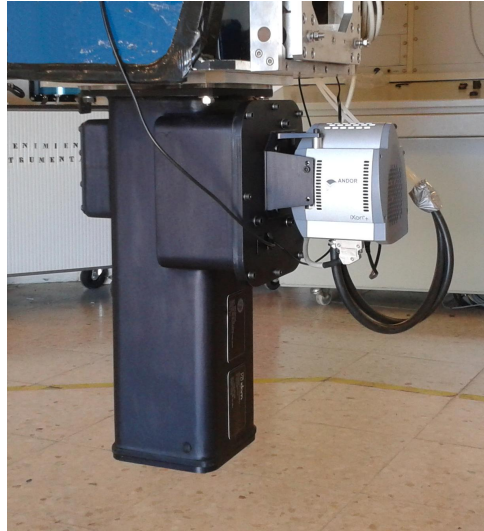


Figure 4. Wide FastCam mounted at the TCS.

The TCS is a 1.5m telescope initially designed for small FoV IR observations. Regardless of that, the TCS+WFC combination has an optical quality good enough to deliver superb images in the optical across the whole FoV (see figure 5).

Since its commissioning, WFC has been regularly used not only for transient observations but also for several other research fields.



Figure 5. RGB composed images of NGC7331(left) and M13 (right).

5. SOME RESULTS

The results obtained from the Wide FastCam commissioning prove the high potential and versatility of this instrument, and the validity of its scientific observations.

Among other interesting results, the linearity of the WFC's EMCCD detector has been found to be dependent on gain and exposure time, as seen in figures 6 and 7.

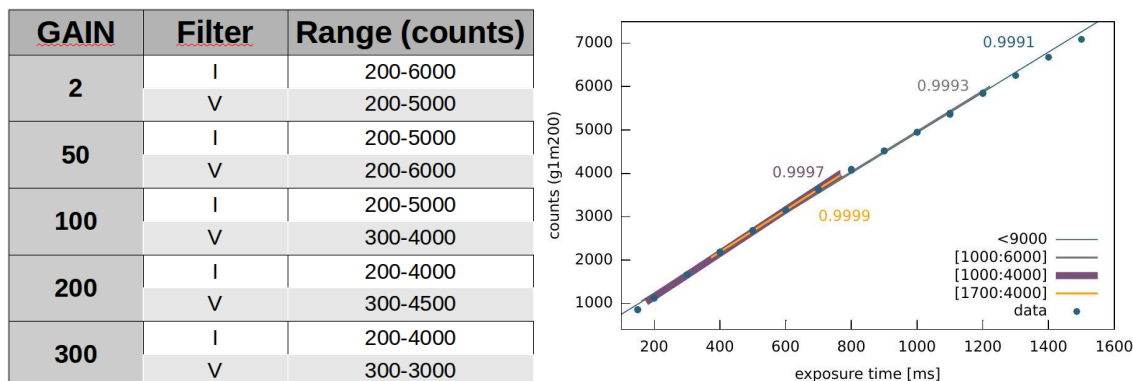


Figure 6. Photometric linear range evaluated for I and V filters and different EM gains and linearity for gain 200 (right).

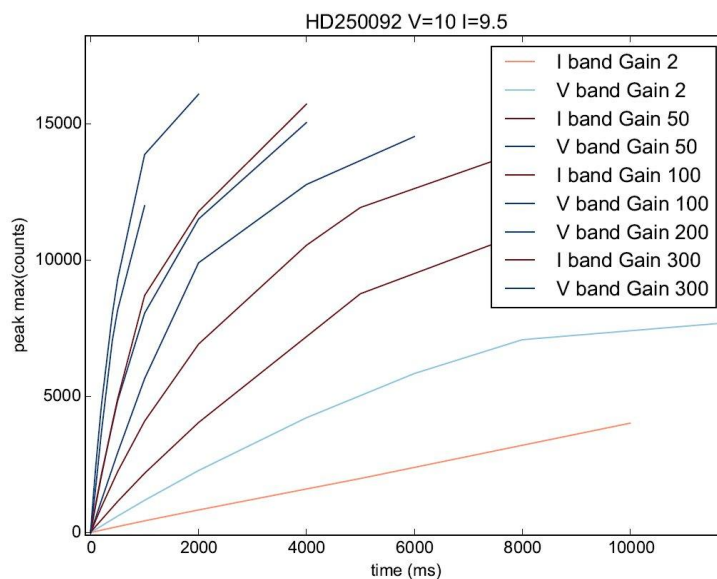


Figure 7. On-sky linearity and sensitivity test.

As a brief example, we present in figure 8 the TrES-3 exoplanet light curve. The superb quality of WFC is demonstrated with the extreme time-resolution of the data collected with a quite reduced noise deviation.

6. CONCLUSIONS AND FURTHER WORK

As it has been tested, Wide FastCam offers a huge branch of possibilities on high time resolution astronomy. The high sensitivity of the EMCCD camera joint to a wide FoV provide the scientific community with a powerful tool to understand the behaviour and nature of transients astrophysical phenomena.

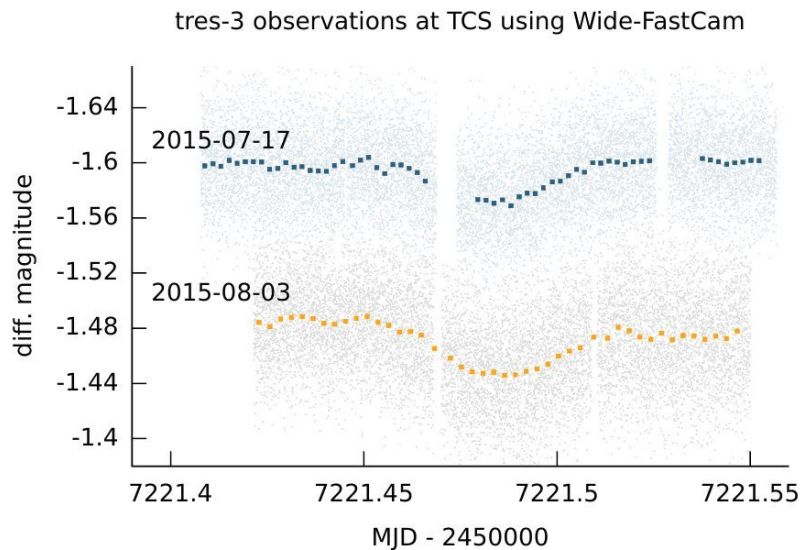


Figure 8. Exoplanet TrES-3 transit light-curve with WFC data.

Our next goal is to provide the software with a guiding system corrector extracting the shifts information from the science images, allowing us to reduce the photometrical noise introduced by the displacement of the sources.

The modular concept used in Wide FastCam allows an easy adaptation to other telescopes like NOT, WHT or GTC, where FastCam has already been successfully tested. This versatility allows Wide FastCam to perform large programs of exoplanet searching and fast wide field differential photometry.

ACKNOWLEDGMENTS

This article is based on observations made with the Telescopio Carlos Sánchez operated on the island of Tenerife by the Instituto de Astrofísica de Canarias in the Spanish Observatorio del Teide.

REFERENCES

- [1] Oscoz, A., Rebolo, R., López, R., Pérez-Garrido, A., Pérez, J. A., Hildebrandt, S., Rodríguez, L. F., Piqueras, J. J., Villó, I., González, J. M., Barrena, R., Gómez, G., García-Hernández, D. A., Montañés, P., Rosenberg, A., Cadavid, E., Calcines, A., Díaz-Sánchez, A., Kohley, R., Martín, Y., Peñate, J., and Sánchez, V., “FastCam: a new lucky imaging instrument for medium-sized telescopes,” in [*Society of Photo-Optical Instrumentation Engineers (SPIE) Conference Series*], *Society of Photo-Optical Instrumentation Engineers (SPIE) Conference Series* **7014** (Aug. 2008).
- [2] Murga, G., Oscoz, A., López, R., Campo, R., Etxegarai, U., and Pallé, E., “Wide FastCam: a wide field imaging camera for the TCS,” in [*Ground-based and Airborne Instrumentation for Astronomy V*], *procspie* **9147**, 91476Q (Aug. 2014).
- [3] Velasco, S., Rebolo, R., Mackay, C., Oscoz, A., King, D. L., Crass, J., Díaz-Sánchez, A., Femenía, B., González-Escalera, V., Labadie, L., López, R. L., Pérez Garrido, A., Puga, M., Rodríguez-Ramos, L. F., and Zuther, J., “Adaptive Optics and Lucky Imager (AOLI): presentation and first light,” in [*Highlights of Spanish Astrophysics VIII*], Cenarro, A. J., Figueras, F., Hernández-Monteagudo, C., Trujillo Bueno, J., and Valdivielso, L., eds., 850–855 (May 2015).

- [4] MacKay, C., Rebolo, R., Crass, J., King, D. L., Labadie, L., González Escalera, V., Puga, M., Pérez Garrido, A., López, R., Oscoz, A., Pérez-Prieto, J. A., Rodríguez-Ramos, L. F., Velasco, S., and Villó, I., “High-resolution imaging in the visible on large ground-based telescopes,” in [*Ground-based and Airborne Instrumentation for Astronomy V*], *SPIE* **9147**, 91471T (July 2014).
- [5] Velasco, S., Rebolo, R., Oscoz, A., Mackay, C., Labadie, L., Garrido, A. P., Crass, J., Díaz-Sánchez, A., Femenía, B., González-Escalera, V., King, D. L., López, R. L., Puga, M., Rodríguez-Ramos, L. F., and Zuther, J., “High spatial resolution optical imaging of the multiple T Tauri system LkH α 262/LkH α 263,” *MNRAS* (May 2016).
- [6] Femenía, B., Rebolo, R., Pérez-Prieto, J. A., Hildebrandt, S. R., Labadie, L., Pérez-Garrido, A., Béjar, V. J. S., Díaz-Sánchez, A., Villó, I., Oscoz, A., López, R., Rodríguez, L. F., and Piqueras, J., “Lucky Imaging Adaptive Optics of the brown dwarf binary GJ569Bab,” *MNRAS* **413**, 1524–1536 (May 2011).
- [7] Labadie, L., Rebolo, R., Villó, I., Pérez-Prieto, J. A., Pérez-Garrido, A., Hildebrandt, S. R., Femenía, B., Díaz-Sánchez, A., Béjar, V. J. S., Oscoz, A., López, R., Piqueras, J., and Rodríguez, L. F., “High-contrast optical imaging of companions: the case of the brown dwarf binary HD 130948 BC,” *aap* **526**, A144 (Feb. 2011).